



Over 90 Years Of Quality Foodservice
Products And Service



Job _____ Item No. _____

SS8 and SS10 Series 7 & 11 Quart Fully Insulated with Auto Fill Round Drop-In Food Warmers



Model SS10TDUIAF

DESCRIPTION

Wells new Auto Fill, heavy-duty, top-mounted, drop-in round food warmers are designed to hold heated foods at safe and fresh serving temperatures and accommodate either 7 or 11 quart standard round inset pans. The Auto Fill feature ensures that the water is always at the correct level for temperature consistency while preventing dry operation.

SPECIFICATIONS

Construction – One-piece stainless steel top flange and heavy-gauge, deep-drawn stainless steel warming pans are standard features on all models. Wellslocks are standard for quick and easy installation.

Insulation - Auto fill models are fully insulated around the sides and bottom for energy savings, quicker pre-heat, faster recovery and less heat under the counter.

Controls & Heating- Auto Fill models feature thermostatic controls for precise temperature control and temperature-ready indicator lights. Auto Fill models may be manifolded together with up to three additional Standard or Insulated Round warmers models with drains to reduce expense while providing the auto-fill feature to all the warmers in the same counter (manifold provided by customers and according to local & national plumbing codes)

ADDITIONAL FEATURES AVAILABLE

- 120V or 208/240V
- Drains standard
- Cord & Plug – optional
- Fully insulated – standard models
- Thermostatic Controls – standard models

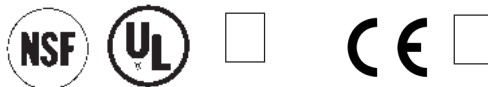
STANDARD FEATURES

- Accommodates standard 7 or 11 quart insets
- Eight Auto-Fill models to choose from
- One-piece stainless steel top flange and heavy-gauge, deep-drawn stainless steel warming pans.
- Wet operation only
- Energy Saving fully insulated
- Fully Insulated models are perfect for non-metal counters (with adapter kit)
- Thermostatic controls standard
- Wellslock standard for ease of installation
- Powerful tubular heating elements
- ½" drains are standard
- Cords & Plugs available
- 2-Year Limited Parts & 1-Year Limited Labor Warranty

OPTIONS & ACCESSORIES

- Inset with lid
- 8 oz. soup ladle
- Drain valve extension kit
- Adaptor top for 4-quart inset
- Adaptor top for 7-quart inset
- Non-metal counter adapter kit
- Optional 72" control wiring

CERTIFICATIONS



Sheet No. SS10AF-01/14



Wells Bloomfield • 10 Sunnen Dr. St. Louis, MO 63143 U.S.A.
Phone : (314) 678-6314 • Fax (314) 781-5445
www.wellsbloomfield.com • Printed in the U.S.A.

NOTE: Specifications are subject to change without notice and are not intended for installation purposes. See installation instructions prior to installing the unit.



Over 90 Years Of Quality Foodservice Products And Service

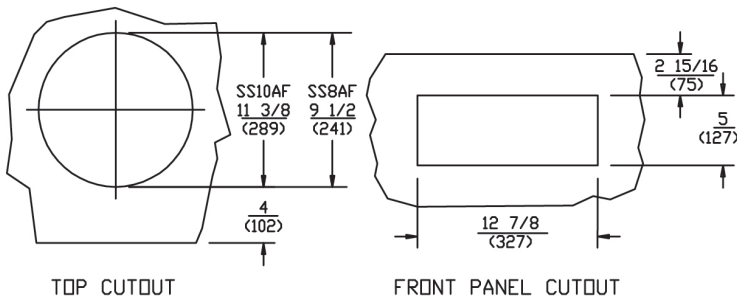
SS8 and SS10 Series 7 & 11 Quart Fully Insulated with Auto Fill Round Drop-In Food Warmers

Minimum Clearances	BACK INCHES (MM)	SIDE INCHES (MM)	BOTTOM INCHES (MM)	FRONT INCHES (MM)
Fully Insulated Models	1 (25)	1 (25)	8 (203)	4 (102)

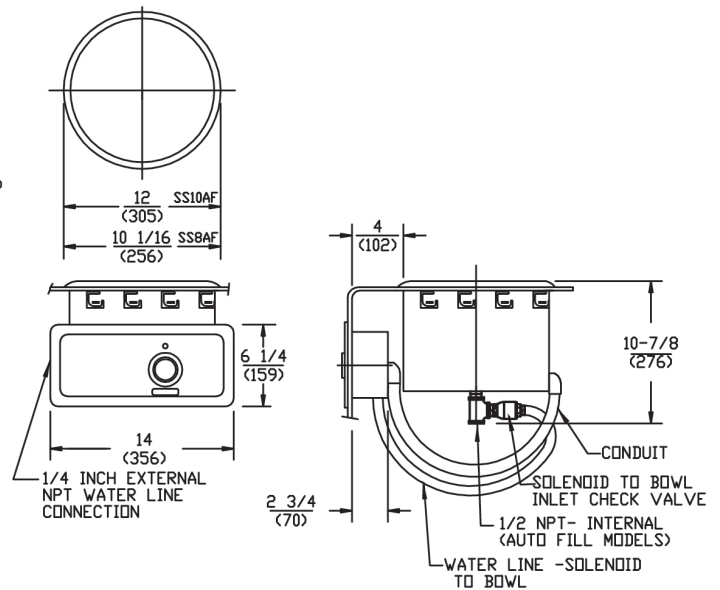
NOTE: Specifications are subject to change without notice. Please refer to installation instructions for cut-out dimensions and fabrication details.

* When control box is located below the warmer, front clearance may be reduced to 2" or 52mm

CUTOUT DETAILS INSULATED MODELS SS10, SS8 W/ AUTO FILL ONLY



PRODUCT DIMENSIONS SS10, SS8 AUTOFILL, INSULATED MODELS ONLY



SPECIFICATIONS

NEW Model Number	Description/Controls	Insulation	Installed Weight	Shipping Weight	Voltage	Watts	Phase	Cord & Plug	Plug	Drain	Approvals
SS8TDUIAF120	Thermostatic	Fully Insulated	9.3 lbs. (4.2) kg	10.3 lbs. (4.7) kg	120V	825	1Ø	No	N/A	Yes	<input type="checkbox"/> <input type="checkbox"/> <input type="checkbox"/>
SS8TDUIAF	Thermostatic	Fully Insulated	9.3 lbs. (4.2) kg	10.3 lbs. (4.7) kg	208V/240	620/825	1Ø	No	N/A	Yes	<input type="checkbox"/> <input type="checkbox"/> <input type="checkbox"/>
SS8TDUCIAF12	Thermostatic	Fully Insulated	9.3 lbs. (4.2) kg	10.3 lbs. (4.7) kg	120V	825	1Ø	Yes	NEMA 5-15P	No	<input type="checkbox"/> <input type="checkbox"/> <input type="checkbox"/>
SS8TDUCIAF	Thermostatic	Fully Insulated	9.3 lbs. (4.2) kg	10.3 lbs. (4.7) kg	208V/240	620/825	1Ø	Yes	NEMA 6-15P	No	<input type="checkbox"/> <input type="checkbox"/> <input type="checkbox"/>
SS10TDUIAF12	Thermostatic	Fully Insulated	11.4 lbs. (5.2) kg	12.4 lbs. (5.6) kg	120V	825	1Ø	No	N/A	Yes	<input type="checkbox"/> <input type="checkbox"/> <input type="checkbox"/>
SS10TDUIAF	Thermostatic	Fully Insulated	11.4 lbs. (5.2) kg	12.4 lbs. (5.6) kg	208V/240	620/825	1Ø	No	N/A	Yes	<input type="checkbox"/> <input type="checkbox"/> <input type="checkbox"/>
SS10TDUCIA12	Thermostatic	Fully Insulated	11.4 lbs. (5.2) kg	12.4 lbs. (5.6) kg	120V	825	1Ø	Yes	NEMA 5-15P	Yes	<input type="checkbox"/> <input type="checkbox"/> <input type="checkbox"/>
SS10TDUCIAF	Thermostatic	Fully Insulated	11.4 lbs. (5.2) kg	12.4 lbs. (5.6) kg	208V/240	620/825	1Ø	Yes	NEMA 6-15P	Yes	<input type="checkbox"/> <input type="checkbox"/> <input type="checkbox"/>

AutoFill models require a water supply connection. Please refer to the operator's manual and installation instructions for details.

Due to periodic changes in designs, methods, procedures, policies and regulations, the specifications contained in this sheet are subject to change without notice. While Wells exercises good faith efforts to provide information that is accurate, we are not responsible for errors or omissions in information provided or conclusions reached as a result of using the specifications. By using the information provided, the user assumes all risks in connection with such use.



Wells Bloomfield • 10 Sunnen Dr. St. Louis, MO 63143 U.S.A.
Phone : (314) 678-6314 • Fax (314) 781-5445
www.wellsbloomfield.com • Printed in the U.S.A.

NOTE: Specifications are subject to change without notice and are not intended for installation purposes. See installation instructions prior to installing the unit.