



Outperform every day.™

Project:

Item Number:

Quantity:

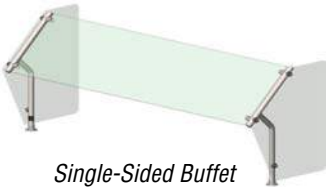
NSF CONTEMPORARY STYLE BREATH GUARDS



Double-Sided Buffet



Single-Sided Buffet with Top Shelf



Single-Sided Buffet



Cafeteria with Top Shelf

DESCRIPTION

Contemporary breath guards are both light weight for easy installation and strong for long-term use. These breath guards can be used with Signature Server® and over drop-ins.

FEATURES

- 1" (2.5 cm) stainless steel tubular construction is sleek, durable, easy to clean and enhances the food presentation
- Long-side panels are 3/8" (9.5 mm) tempered glass with polished ends and extend farther than standard breath guards to provide additional protection
- Short-end panels are 1/4" (6.4 mm) tempered glass
- Available in brushed stainless steel, brass or black
- Mounts to stainless steel, solid surface and laminate countertops

WARRANTY

All models shown come with Vollrath's standard warranty against defects in materials and workmanship. For full warranty details, please refer to www.Vollrath.com.

BUILD A MODEL NUMBER

Step 1* Select Base Item			Step 2 Select Color		Optional Step 3 Select Accessories		
Length	For Use With Signature Server® With Stainless Steel Countertops	For Use Over Drop-ins and Signature Server® With Non-Stainless Steel Countertops	Suffix	Color	Suffix	Length	
Double-Sided Buffet			99	Stainless Steel	Not available for Single-Sided Buffet style.		
2-Well/Pan	N98663	NCB98663					
3-Well/Pan	N98637	NCB98637					
4-Well/Pan	N98638	NCB98638		10	Brass	Fluorescent Lights	
5-Well/Pan	N98639	NCB98639				Not Available for 2-Well/Pan	
6-Well/Pan	N98640	NCB98640				45	3-Well/Pan
Single-Sided Buffet with Top Shelf			30	Black 80% Gloss	14	4-Well/Pan	
2-Well/Pan	N98662	NCB98662			46	5-Well/Pan	
3-Well/Pan	N98651	NCB98651			51	6-Well/Pan	
4-Well/Pan	N98652	NCB98652			Incandescent Lights		
5-Well/Pan	N98653	NCB98653			N/A		
6-Well/Pan	N98654	NCB98654			Cayenne® Heat Strips		
Single-Sided Buffet					52	2-Well/Pan	
2-Well/Pan	N98661	NCB98661			53	3-Well/Pan	
3-Well/Pan	N98633	NCB98633			54	4-Well/Pan	
4-Well/Pan	N98634	NCB98634			55	5-Well/Pan	
5-Well/Pan	N98635	NCB98635			56	6-Well/Pan	
6-Well/Pan	N98636	NCB98636			Cayenne® Heat Strips w/ Lights		
Cafeteria with Top Shelf					57	2-Well/Pan	
2-Well/Pan	N98660	NCB98660			58	3-Well/Pan	
3-Well/Pan	N98650	NCB98650			59	4-Well/Pan	
4-Well/Pan	N98626	NCB98626			90	5-Well/Pan	
5-Well/Pan	N98627	NCB98627			91	6-Well/Pan	
6-Well/Pan	N98628	NCB98628					

* When ordering breath guards for Signature Server® bases with stainless steel countertops, 14 gauge countertops must be specified, will be supplied by Vollrath and added to the cost of the base.

Due to continued product improvement, please consult www.vollrath.com for current product specifications.



Approvals	Date



Outperform every day.™
www.vollrath.com

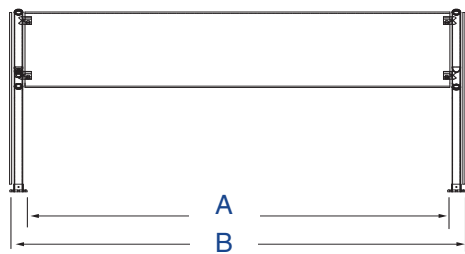
The Vollrath Company, L.L.C.
1236 North 18th Street
Sheboygan, WI 53081-3201 U.S.A.
Customer Service: 800.628.0830
Canada Customer Service: 800.695.8560
Main Fax: 800.752.5620 or

Technical Services: 800.628.0832
Technical Services Fax:
920.459.5462

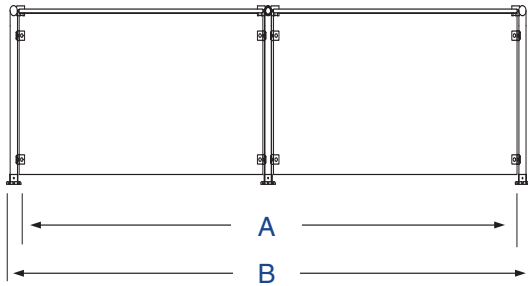
NSF CONTEMPORARY STYLE BREATH GUARDS

DIMENSIONS (Shown in inches (cm))

Front View

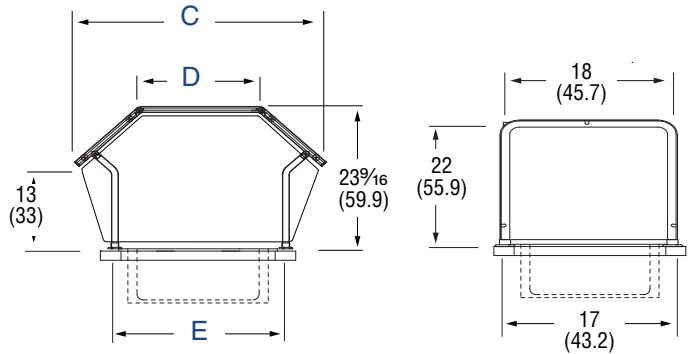


Double-Sided Buffet, Single-Sided Buffet with Top Shelf and Single-Sided Buffet



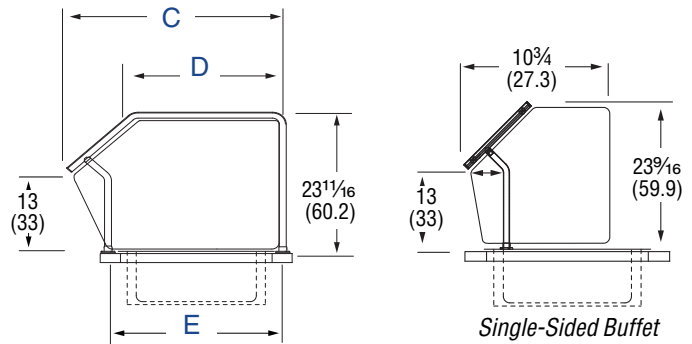
Single-Sided Cafeteria with Top Shelf

Side View



Double-Sided Buffet

Cafeteria with Top Shelf



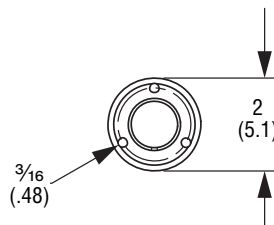
Single-Sided Buffet with Top Shelf

Single-Sided Buffet

Style	(A) Inside of Flange to Inside of Flange	(B) Outside of Flange to Outside of Flange
For Use With Signature Server® With Stainless Steel Countertops		
Two-Well/Pan	23 (58.4)	27 (68.6)
Three-Well/Pan	41 (104.1)	45 (114.3)
Four-Well/Pan	55 (139.7)	59 (149.9)
Five-Well/Pan	69 (175.3)	73 (185.4)
Six-Well/Pan	83 (210.8)	87 (220.9)
For Use Over Drop-ins or Signature Server® With Non-Stainless Steel Countertops		
Two-Well/Pan	30½ (77.5)	34½ (87.6)
Three-Well/Pan	43 (109.2)	47 (119.4)
Four-Well/Pan	56¼ (142.9)	60¼ (153)
Five-Well/Pan	69½ (176.5)	73½ (186.7)
Six-Well/Pan	82¾ (210.9)	86¾ (220.3)

Style	For Use With	C	D	E
Double-Sided Buffet	For use with Signature Server® with stainless steel countertops	38¼ (97.2)	19¾ (48.8)	25 (63.5)
	For use over drop-ins or Signature Server® with non-stainless steel countertops	42¼ (107.3)	23¾ (58.9)	29 (73.7)
Single-Sided Buffet with Top Shelf	For use with Signature Server® with stainless steel countertops	32¾ (83.2)	21¼ (54)	25 (63.5)
	For use over drop-ins or Signature Server® with non-stainless steel countertops	36¾ (93.3)	25¼ (64.1)	29 (73.7)

Base Plate



Outperform every day.™

www.vollrath.com

The Vollrath Company, L.L.C.
1236 North 18th Street
Sheboygan, WI 53081-3201 U.S.A.
Customer Service: 800.628.0830
Canada Customer Service: 800.695.8560
Main Fax: 800.752.5620 or

Technical Services: 800.628.0832
Technical Services Fax: 920.459.5462