
**FEATURES & CONSTRUCTION:**

*Top is constructed of 16 gauge type 300 series stainless steel with 3/4" thick wood sub top. Front of top is turned down 1 1/2" @ 90° and turned back 1/2" @ 45° with ends and back turned down 2".*

*Cabinet body is constructed of 3/4" thick wood and covered with exterior laminate. Interior is covered with cabinet liner.*

*Adjustable shelf is constructed of 3/4" thick wood and covered with cabinet liner, and is held in place with stainless steel pilaster strips and clips.*

*Kickplate is constructed of 3/4" thick pressure-treated wood and covered with exterior laminate.*

*Color of exterior laminate is as specified.*

*Color of cabinet liner is white or black.*

**STANDARD SIZES (in.)**

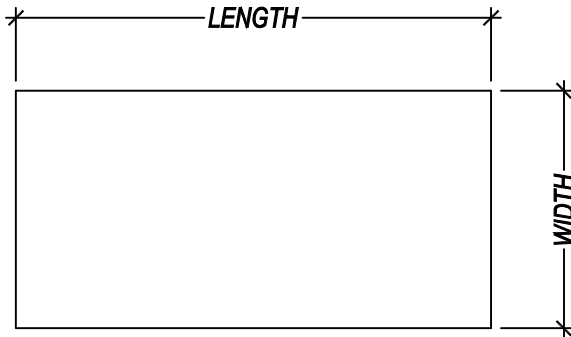
<b>24" WIDTH</b>	<b>30" WIDTH</b>	<b>36" WIDTH</b>	<b>LENGTH</b>	<b>HEIGHT</b>
4MC-24	4MC-30	4MC-36	48	35
5MC-24	5MC-30	5MC-36	60	
6MC-24	6MC-30	6MC-36	72	
7MC-24	7MC-30	7MC-36	84	
8MC-24	8MC-30	8MC-36	96	
9MC-24	9MC-30	9MC-36	108	
10MC-24	10MC-30	10MC-36	120	
11MC-24	11MC-30	11MC-36	132	
12MC-24	12MC-30	12MC-36	144	

*(Custom sizes are available.  
Call us for details.)*

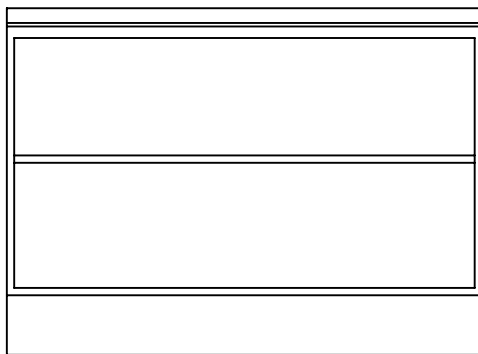


**SPECIFICATIONS**

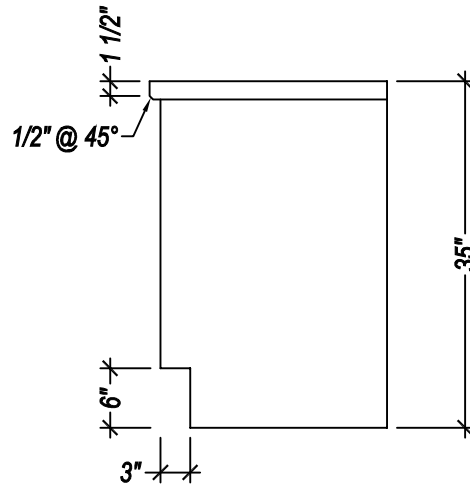
**STANDARD  
MILLWORK CABINET  
WITH S/S TOP**



PLAN VIEW



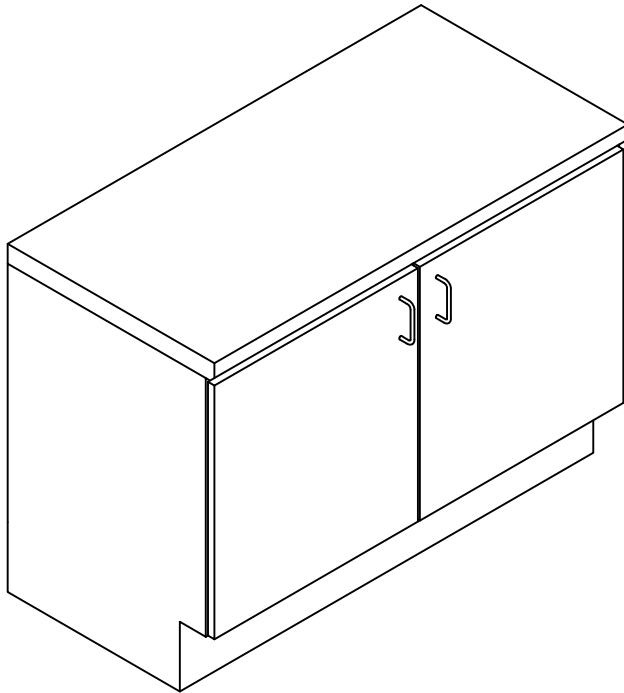
FRONT ELEVATION



SIDE ELEVATION

*DIMENSIONS (in.)*

<i>24" WIDTH</i>	<i>WT. (lbs)</i>	<i>30" WIDTH</i>	<i>WT. (lbs)</i>	<i>36" WIDTH</i>	<i>WT. (lbs)</i>	<i>LENGTH</i>
4MC-24	162	4MC-30	195	4MC-36	243	48
5MC-24	182	5MC-30	218	5MC-36	272	60
6MC-24	202	6MC-30	242	6MC-36	302	72
7MC-24	222	7MC-30	266	7MC-36	333	84
8MC-24	242	8MC-30	290	8MC-36	363	96
9MC-24	268	9MC-30	321	9MC-36	402	108
10MC-24	277	10MC-30	333	10MC-36	416	120
11MC-24	298	11MC-30	358	11MC-36	448	132
12MC-24	317	12MC-30	381	12MC-36	478	144


**FEATURES & CONSTRUCTION:**

*Top is constructed of 16 gauge type 300 series stainless steel with 3/4" thick wood sub top. Front of top is turned down 1 1/2" @ 90° and turned back 1/2" @ 45° with ends and back turned down 2".*

*Cabinet body is constructed of 3/4" thick wood and covered with exterior laminate. Interior is covered with cabinet liner.*

*Overlay doors are constructed of 3/4" thick wood and covered with exterior laminate. Doors are furnished with adjustable hinges and wire pull handles and are easily removable.*

*Adjustable shelf is constructed of 3/4" thick wood and covered with cabinet liner, and is held in place with stainless steel pilaster strips and clips.*

*Kickplate is constructed of 3/4" thick pressure-treated wood and covered with exterior laminate.*

*Color of exterior laminate is as specified.*

*Color of cabinet liner is white or black.*

**STANDARD SIZES (in.)**

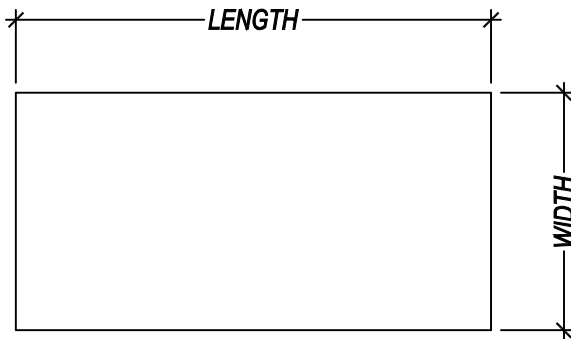
<b>24" WIDTH</b>	<b>30" WIDTH</b>	<b>36" WIDTH</b>	<b>LENGTH</b>	<b>HEIGHT</b>
4MCD-24	4MCD-30	4MCD-36	48	35
5MCD-24	5MCD-30	5MCD-36	60	
6MCD-24	6MCD-30	6MCD-36	72	
7MCD-24	7MCD-30	7MCD-36	84	
8MCD-24	8MCD-30	8MCD-36	96	
9MCD-24	9MCD-30	9MCD-36	108	
10MCD-24	10MCD-30	10MCD-36	120	
11MCD-24	11MCD-30	11MCD-36	132	
12MCD-24	12MCD-30	12MCD-36	144	

**(Custom sizes are available.  
Call us for details.)**

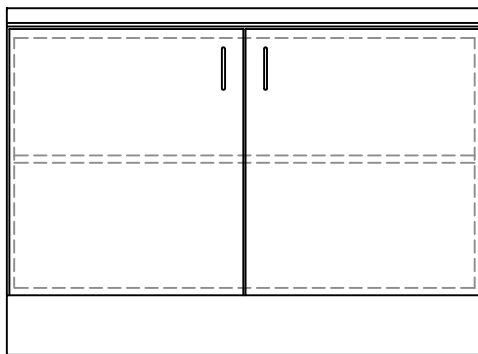


**SPECIFICATIONS**

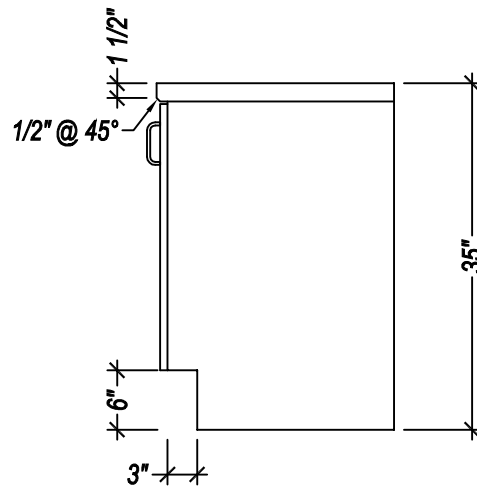
**STANDARD  
MILLWORK CABINET  
WITH DOORS & S/S TOP**



PLAN VIEW



FRONT ELEVATION



SIDE ELEVATION

**DIMENSIONS (in.)**

24" WIDTH	WT. (lbs)	30" WIDTH	WT. (lbs)	36" WIDTH	WT. (lbs)	LENGTH
4MCD-24	186	4MCD-30	225	4MCD-36	279	48
5MCD-24	209	5MCD-30	250	5MCD-36	312	60
6MCD-24	232	6MCD-30	278	6MCD-36	347	72
7MCD-24	255	7MCD-30	305	7MCD-36	383	84
8MCD-24	278	8MCD-30	333	8MCD-36	417	96
9MCD-24	308	9MCD-30	369	9MCD-36	462	108
10MCD-24	318	10MCD-30	382	10MCD-36	478	120
11MCD-24	342	11MCD-30	411	11MCD-36	515	132
12MCD-24	364	12MCD-30	438	12MCD-36	549	144