



**John
BOOS**
Since 1887

ITEM #: _____ QTY: _____
 MODEL #: _____
 PROJECT NAME: _____

011018

3601 S. Banker St. Effingham, IL 62401 • P.O. BOX 609 • Ph: (888) 431-2667 • Fax: (800) 433-2667



"BAK" MAPLE TOP TABLES W/ RISERS

**1-3/4" THICK HARD ROCK MAPLE TOP W/ 4" COVERED RISER ON BACK AND SIDES.
 STAINLESS STEEL BASE AND UNDERSHELF W/ BUN PAN RACK**

FEATURES:

- 1-3/4" THICK HARD MAPLE TOP, STYLE "SB" W/ 4" COVERED RISER ON BACK AND SIDES
- MAPLE TOP IS FINISHED WITH PENETRATING OIL WITH OPTIONAL NATURAL CLEAR VARNIQUE FINISH
- STAINLESS STEEL BASE, UNDERSHELF, AND BUN PAN RACK TYPE 300 STAINLESS STEEL, WITH #4 POLISH, SATIN FINISH
- STAINLESS STEEL BUN PAN RACK HOLDS (8) 18" X 26" PANS
- UNDERSHELF IS SECURED IN A FIXED POSITION, 12" ABOVE FLOOR
- 5" HEAVY DUTY LOCKING CASTERS
- SHIPPED KNOCKED-DOWN, EASY-TO-ASSEMBLE
- NSF AND CSA CERTIFIED
- **NOTE: DRAWERS AVAILABLE ONLY ON BAK02, BAK03 & BAK05**



MATERIAL:

- TOP: 1-3/4" THICK HARD ROCK MAPLE FINISHED WITH PENETRATING OIL
- SHELF: 18 GAUGE TYPE 300 STAINLESS STEEL W/ #4 POLISH, SATIN FINISH
- RACK: 18 GAUGE TYPE 300 STAINLESS STEEL W/ #4 POLISH, SATIN FINISH
- LEGS: 1-5/8" ROUND O.D., 16 GAUGE TYPE 300 TUBULAR STAINLESS STEEL W/#4 POLISH, SATIN FINISH
- GUSSETS: STAINLESS STEEL
- CASTERS: 5" LOCKING CASTERS (NON MARKING)

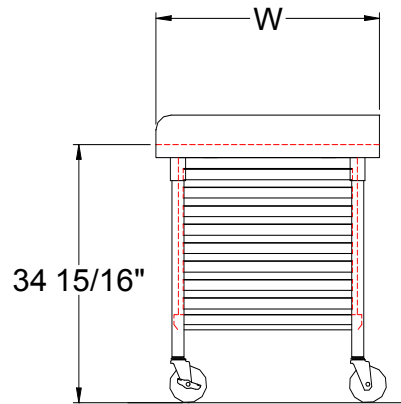
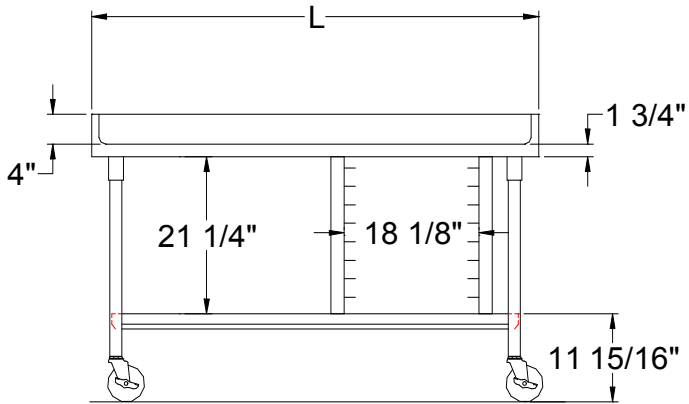
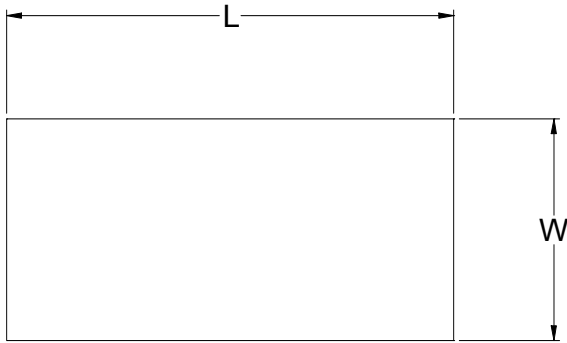
1-3/4" THICK MAPLE TOP W/ UNDERSHELF AND BUN PAN RACK

30" WIDE	QTY	36" WIDE	QTY
BAK01		BAK04	
BAK02		BAK05	
BAK03		-	

OPTIONAL ACCESSORIES

DESCRIPTION	MODEL	QTY
STAINLESS STEEL FEET		
DRAWER		
DRAWER LOCK		
OVERSHELVES		
POT RACK		

DETAILED SPECIFICATIONS



- UNITS 7 FT. AND LARGER ARE FURNISHED WITH SIX LEGS.
- FINISHED SIZE OF UNDERSHELF.
SHELF LENGTH = LENGTH MINUS 4.875"
SHELF WIDTH = WIDTH MINUS 4.25"

1-3/4" THICK MAPLE TOP W/ UNDERSHELF AND BUN PAN RACK

LENGTH	30" WIDE	WEIGHT (LBS)	36" WIDE	WEIGHT (LBS)
48"	BAK01	175	BAK04	194
60"	BAK02	202	BAK05	224
72"	BAK03	230	-	-

SOME UNITS SHIP UNASSEMBLED FOR REDUCED SHIPPING COST. ALL DIMENSIONS ARE TYPICAL. TOLERANCE +/- .500"
John Boos & Co. is constantly engaged in a program of improving products and therefore reserves the right to change specifications without prior notice.



BOOS
lockS

AQ AutoQuotes

3601 S. Banker St. • Effingham, IL 62401 • PO BOX 609 • quotes@johnboos.com

www.johnboos.com

011018

371