



# AM-50BAE-(AD)DS

## SELF-CONTAINED CUBER WITH BUILT-IN STORAGE BIN



AM-50BAE-DS  
3/30/17  
Item # 13172

Item #: \_\_\_\_\_  
 Project: \_\_\_\_\_  
 Qty: \_\_\_\_\_  
 AIA#: \_\_\_\_\_

### W x D x H

AM-BAE / AM-BAE-DS  
147/8" x 225/8" x 331/2"

(-AD) - ADA Compliant

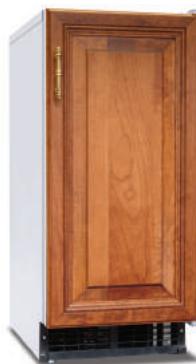
(-DS) - Customized Cabinet Door System

AM-50BAE-AD / AM-50BAE-ADDS  
147/8" x 225/8" x 311/2"



**AM-50BAE**  
Air-Cooled  
(Shown)

**AM-50BAE-AD**  
Air-Cooled  
ADA Compliant Unit



**AM-50BAE-DS\***  
(Shown)  
with Custom Cabinetry

**AM-50BAE-ADDS\***  
Air-Cooled  
ADA Compliant Unit  
*\*Customer responsible for providing cabinetry*

## Features

- ▶ UL approved for outdoor use
- ▶ Undercounter design
- ▶ Drain pump option available

- Up to 55 lbs. of ice production per 24 hours
- Fewer moving parts for longer life
- Power switch accessible without panel removal
- Less than 34 inches tall (AM-50BAE, AM-50BAE-DS)
- Less than 32 inches tall; ADA Compliant (AM-50BAE-AD, AM-50BAE-ADDS)
- Up to 22 lbs. of built-in storage capacity
- Easily disassembled water circuit for easy cleaning
- Front in and out airflow
- Equipped with 6 ft. Cord with NEMA 5-15 Plug
- R-134a Refrigerant

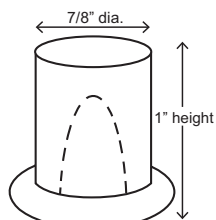
### Warranty:

2 Year Parts & Labor on entire machine.  
1 Year Parts & Labor on HS-5061 Drain Pump Assembly.  
Valid in United States, Canada, Puerto Rico and U.S. Territories. Contact factory for warranty in other countries.



Condenser	Model	ICE PRODUCTION				WATER USAGE			ELECTRICAL			Heat Rejection BTU/hr.	Shipping Weight	ENERGY STAR®
		Air / Water Temp Lbs. per 24 hours		Per Cycle		Potable Gal. per 100 lbs.	Condenser Gal. per 100 lbs.	kWh Used per 100 lbs.	Max. Fuse Size or HACR Circuit Breaker	Amperage	Voltage			
		70°/ 50°F	90°/ 70°F	Lbs.	Cubes	90°/ 70°F	90°/ 70°F	90°/ 70°F						
Air-Cooled	AM-50BAE(-DS)	51	35	.595	24	71.0	N/A	17.0	15A	3.8A	115V/60/1	1,850	97 lbs.	
Air-Cooled	AM-50BAE-AD(-DS)	55	34	.65	24	63.9	N/A	16.8	15A	3.8A	115V/60/1	1,850	99 lbs.	

### AM Cube Dimensions\*



\* approximate size in inches, image not to scale

### Operating Limits

- Ambient Temp Range 45 - 100°F
- Water Temp Range 45 - 95°F
- Water Pressure 7 - 113 PSIG
- Voltage Range 104-127V

### Location

- Allow 15" (38 cm) at front and enough space at rear for water supply and drain connections.
- Location must provide a firm and level foundation.
- Do not place near ovens, grills or other high heat producing equipment.

### Parts

- -DS Door Reversal Part - HS-0229  
Optional Kit required for (-DS) models
- Side trim kit available
- Accessory - HS-5061 Drain Pump Assembly
- Water filter - H9320-51

### Plumbing

- Icemaker Water Supply Line: Minimum 1/4" Nominal ID Copper Water Tubing or Equivalent
- Icemaker Drain Line: Minimum 1/2" Nominal ID Hard Pipe or Equivalent



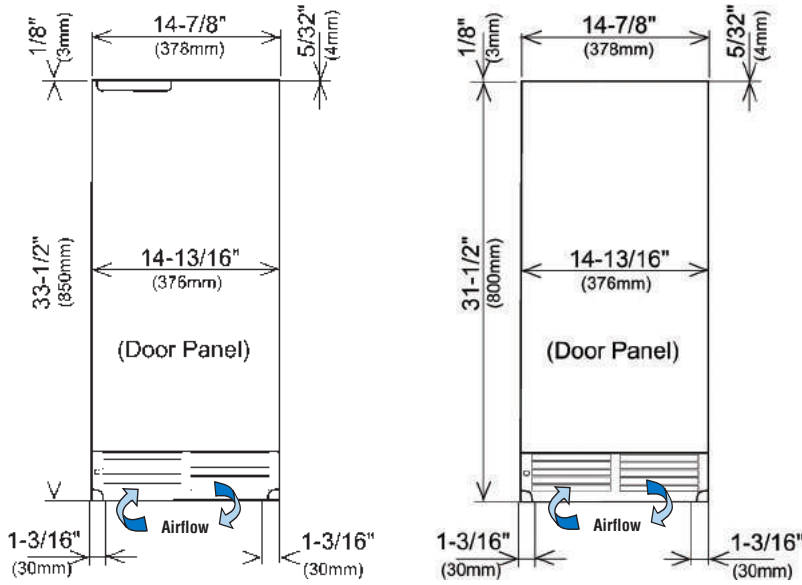
# AM-50BAE-(AD)DS

## SELF-CONTAINED CUBER WITH BUILT-IN STORAGE BIN



AM-50BAE-DS  
3/30/17  
Item # 13172

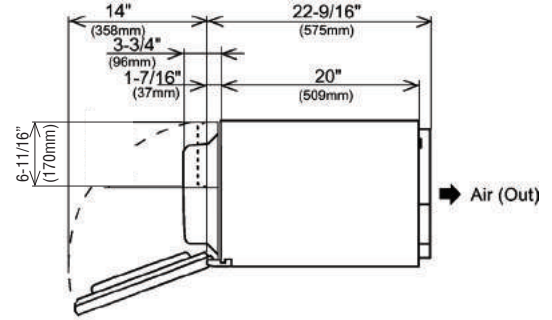
FRONT VIEW



AM-50BAE/AM-50BAE-DS

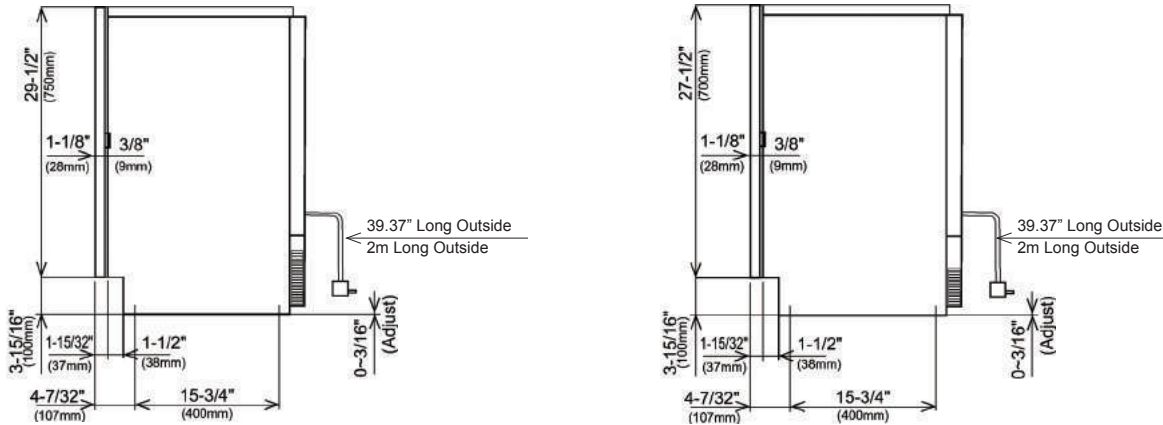
AM-50BAE-AD/AM-50BAE-ADDS

TOP VIEW



AM-50BAE  
AM-50BAE-AD  
AM-50BAE-DS  
AM-50BAE-ADDS

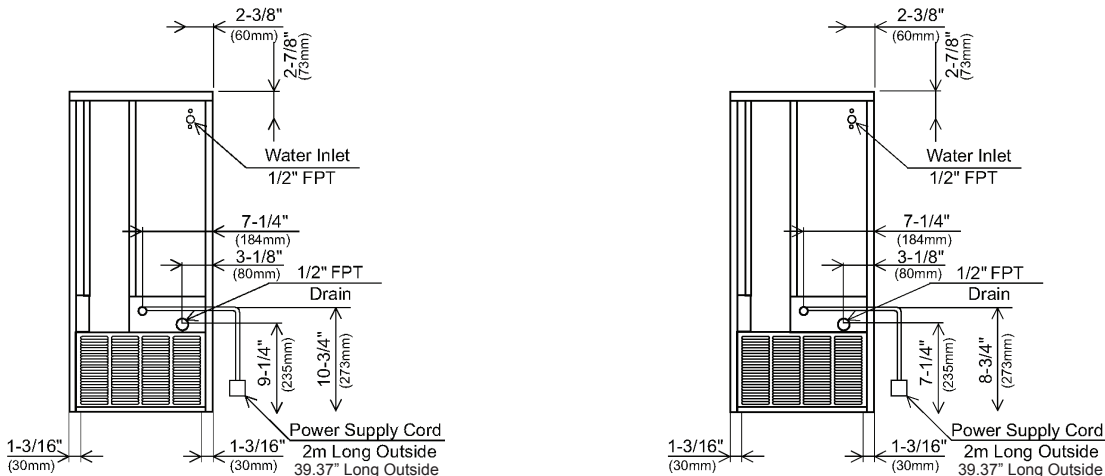
SIDE VIEW



AM-50BAE/AM-50BAE-DS

AM-50BAE-AD/AM-50BAE-ADDS

REAR VIEW



AM-50BAE/AM-50BAE-DS

AM-50BAE-AD/AM-50BAE-ADDS