



Project \_\_\_\_\_  
 Item # \_\_\_\_\_  
 Quantity \_\_\_\_\_

## Glo-Ray® Pizza Warmers

Models: GRPWS-2424, -3624, -4824,  
 GRPWS-2418D, -3618D, -4818D,  
 -2424D, -3624D, -4824D,  
 GRPWS-2418T, -3618T, -4818T,  
 -2424T, -3624T, -4824T,  
 GRPWS-2418Q, -3618Q, -4818Q,  
 -2424Q, -3624Q, -4824Q

The Hatco Glo-Ray® Pizza Warmers are perfect for holding boxed or bagged pizza and other wrapped food product at any convenient self-serve or quick-serve area. Choose from base heat only in single, dual, triple and quadruple shelf models, with any combination of three widths and two depths. All models are constructed of aluminum and stainless steel with tempered glass side panels (no glass side panels on single shelf models), hardcoated aluminum shelves and legs.

### Standard features

- All models have thermostatically-controlled base heat in each heat zone to maintain optimum serving temperatures
- A separate On/Off switch and temperature control for each shelf allows for holding a variety of pizzas or other food products
- Standard box stop doubles as a sign holder (excluding base only models) (signs not included)
- Coated shatter-resistant incandescent lights enhance product display while safe-guarding food products from bulb breakage (excluding base only models)
- NSF require units over 36" (914 mm) in width or weighing more than 80 lbs. (36 kg) to be either sealed, or raised on the installation surface with the 4" (102 mm) legs included



### Options (available at time of purchase only)

#### Designer Colors

- Non-standard colors are non-returnable – Stainless Steel standard
- Warm Red     Black     Gray Granite     White Granite  
 Navy Blue     Hunter Green     Antique Copper
- 60 Watt Halogen Bulb in lieu of Standard Display Light

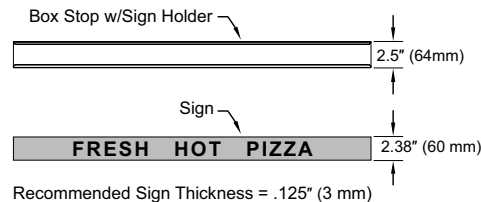
#### RECOMMENDED SIGN DIMENSIONS

##### Model

GRPWS-24's: 22.25" x 2.38" x .13" ( 565 x 60 x 3 mm)

GRPWS-36's: 34.25" x 2.38" x .13" ( 870 x 60 x 3 mm)

GRPWS-48's: 46.25" x 2.38" x .13" (1175 x 60 x 3 mm)



For operation, location and safety information,  
 please refer to the Installation & Operating Manual.

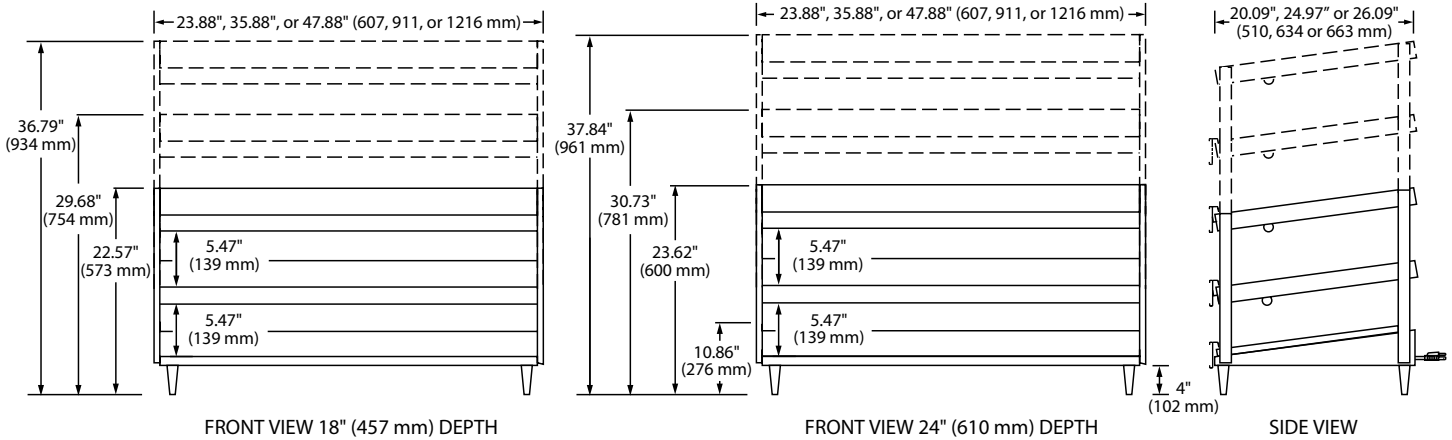


**HATCO CORPORATION** | P.O. Box 340500 Milwaukee, WI 53234-0500 U.S.A.  
 (800) 558-0607 | (414) 671-6350 | www.hatcocorp.com | support@hatcocorp.com



# Glo-Ray® Pizza Warmers

Models: GRPWS-2424, -3624, -4824, -2418D, 3618D, -4818D, -2424D, -3624D, -4824D, -2418T, 3618T, -4818T, -2424T, -3624T, -4824T, -2418Q, -3618Q, -4818Q, -2424Q, -3624Q, -4824Q



## SPECIFICATIONS

### Base only — Slant Display Warmers with Base Heat Only

Model	Dimensions (W x D x H) height includes legs	Heated Shelf Space (W x D)	Bulbs, Divider Rods	Volts Single Phase	Watts	Amps	Plug	Ship Weight*
GRPWS-2424*	23.07" x 24.97" x 7.87" (545 x 634 x 200 mm)	22.5" x 21" (571 x 533 mm)	0, 5	120	345	2.9	NEMA 5-15P	40 lbs. (18 kg)
GRPWS-3624*	35.07" x 24.97" x 7.87" (891 x 634 x 200 mm)	34.5" x 21" (8760 x 533 mm)	0, 7	120	505	4.2	NEMA 5-15P	45 lbs. (21 kg)
GRPWS-4824	47.07" x 24.97" x 10.86" (1196 x 634 x 276 mm)	46.5" x 21" (1181 x 533 mm)	0, 9	120	660	5.5	NEMA 5-15P	60 lbs. (28 kg)

\* Shipping weight includes packaging.

• Height includes 1" (25 mm) legs. Other models ship with 4" (102 mm) legs.

### Dual Shelf — Slant Display Warmers with Base Heat Only

Model	Dimensions (W x D x H) includes 4" (102 mm) legs	Heated Shelf Space (W x D)	Bulbs, Divider Rods	Volts Single Phase	Watts	Amps	Plug	Ship Weight*
GRPWS-2418D	23.88" x 20.09" x 22.57" (607 x 510 x 573 mm)	22.56" x 17.85" (573 x 453 mm)	4, 0	120	960	8.0	NEMA 5-15P	76 lbs. ( 35 kg)
GRPWS-3618D	35.88" x 20.09" x 22.57" (911 x 510 x 573 mm)	34.56" x 17.85" (877 x 453 mm)	6, 0	120	1440	12.0	NEMA 5-15P	106 lbs. ( 48 kg)
GRPWS-4818D	47.88" x 20.09" x 22.57" (1216 x 510 x 573 mm)	46.56" x 17.85" (1182 x 453 mm)	8, 0	120	1920	16.0	NEMA 5-20P	136 lbs. ( 62 kg)
				120/208-280	1920	8.0/8.0	NEMA L14-20P	
GRPWS-2424D	23.88" x 26.09" x 23.62" (607 x 663 x 600 mm)	22.56" x 23.84" (573 x 605 mm)	4, 0	120	1200	10.0	NEMA 5-15P	108 lbs. (494 kg)
GRPWS-3624D	35.88" x 26.09" x 23.62" (911 x 663 x 600 mm)	34.56" x 23.84" (877 x 605 mm)	6, 0	120	1800	15.0	NEMA 5-15P <sup>▲</sup>	136 lbs. ( 62 kg)
GRPWS-4824D	47.88" x 26.09" x 23.62" (1216 x 663 x 600 mm)	46.56" x 23.84" (1182 x 605 mm)	8, 0	120/208-240	2390	10.0/10.0	NEMA L14-20P	177 lbs. ( 80 kg)

\* Shipping weight includes packaging.

▲ Canadian models use NEMA 5-20P.



# Glo-Ray® Pizza Warmers

Models: GRPWS-2424, -3624, -4824, -2418D, 3618D, -4818D, -2424D, -3624D, -4824D, -2418T, 3618T, -4818T, -2424T, -3624T, -4824T, -2418Q, -3618Q, -4818Q, -2424Q, -3624Q, -4824Q

## Triple Shelf — Slant Display Warmers with Base Heat Only

The shaded areas contain electrical information for international models

Model	Dimensions (W x D x H) includes 4" (102 mm) legs	Heated Shelf Space (W x D)	Bulbs, Divider Rods	Volts Single Phase	Watts	Amps	Plug	Ship Weight*
GRPWS-2418T	23.88" x 20.09" x 29.68" (607 x 510 x 754 mm)	22.56" x 17.85" (573 x 453 mm)	6, 0	120	1440	12.0	NEMA 5-15P	98 lbs. ( 45 kg)
GRPWS-3618T	35.88" x 20.09" x 29.68" (911 x 510 x 754 mm)	34.56" x 17.85" (877 x 453 mm)	9, 0	120/208-240	2160	12.0	NEMA L14-20P	136 lbs. ( 62 kg)
GRPWS-4818T	47.88" x 20.09" x 29.68" (1216 x 510 x 754 mm)	46.56" x 17.85" (1182 x 453 mm)	12, 0	120/208-240	2880	16.0	NEMA L14-20P	175 lbs. ( 80 kg)
GRPWS-2424T	23.88" x 26.09" x 30.73" (607 x 663 x 781 mm)	22.56" x 23.84" (573 x 605 mm)	6, 0	120	1800	15.0	NEMA 5-15P <sup>▲</sup>	116 lbs. ( 53 kg)
				220-230-240	1276-1395-1518	5.8-6.1-6.3	AS-3112, BS-1363, Schuko 7/7	116 lbs. ( 53 kg)
GRPWS-3624T	35.88" x 26.09" x 30.73" (911 x 663 x 781 mm)	34.56" x 23.84" (877 x 605 mm)	9, 0	120/208-240	2700	15.0-7.5	NEMA L14-20P	167 lbs. ( 76 kg)
				200	1776	8.9	AS-3112	167 lbs. ( 76 kg)
				220-230-240	1800-1967-2143	8.2-8.6-8.9	AS-3112, BS-1363, Schuko 7/7	
GRPWS-4824T	47.88" x 26.09" x 30.73" (1216 x 663 x 781 mm)	46.5" x 23.84" (1182 x 605 mm)	12, 0	120/208-240	3585	20.0-10.0	NEMA L14-20P*	227 lbs. (103 kg)
				220-230-240	2301-2515-2738	10.5-10.9-11.4	AS-3112, BS-1363, Schuko 7/7	227 lbs. (103 kg)

\* Shipping weight includes packaging. ▲ Canadian models use NEMA 5-20P.

\* Canadian models use NEMA L14-30P.

## Quadruple Shelf — Slant Display Warmers with Base Heat Only

Model	Dimensions (W x D x H) includes 4" (102 mm) legs	Heated Shelf Space (W x D)	Bulbs, Divider Rods	Volts Single Phase	Watts	Amps	Plug	Ship Weight*
GRPWS-2418Q	23.88" x 20.09" x 36.79" (607 x 510 x 934 mm)	22.56" x 17.85" (573 x 453 mm)	8, 0	120/208-240	1920	8.0	NEMA L14-20P	119 lbs. ( 54 kg)
GRPWS-3618Q	35.88" x 20.09" x 36.79" (911 x 510 x 934 mm)	34.56" x 17.85" (877 x 453 mm)	12, 0	120/208-240	2880	12.0	NEMA L14-20P	157 lbs. ( 72 kg)
GRPWS-4818Q	47.88" x 20.09" x 36.79" (1216 x 510 x 934 mm)	46.56" x 17.85" (1182 x 453 mm)	16, 0	120/208-240	3840	16.0	NEMA L14-20P	214 lbs. ( 98 kg)
GRPWS-2424Q	23.88" x 26.09" x 37.84" (607 x 663 x 961 mm)	22.56" x 23.84" (573 x 605 mm)	8, 0	120/208-240	2400	10.0	NEMA L14-20P	151 lbs. ( 69 kg)
GRPWS-3624Q	35.88" x 26.09" x 37.84" (911 x 663 x 961 mm)	34.56" x 23.84" (877 x 605 mm)	12, 0	120/208-240	3600	15.0	NEMA L14-20P	214 lbs. ( 98 kg)
GRPWS-4824Q	47.88" x 26.09" x 37.84" (1216 x 663 x 961 mm)	46.56" x 23.84" (1182 x 605 mm)	16, 0	120/208-240	4780	20.0	NEMA L14-20P*	277 lbs. (126 kg)

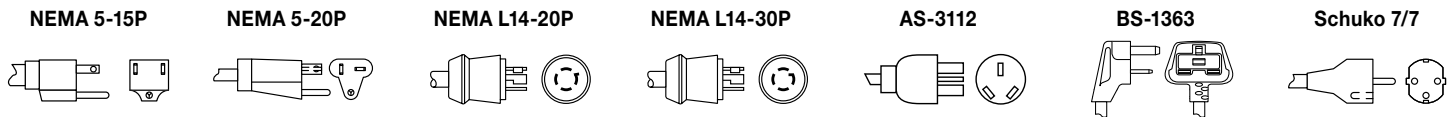
\* Shipping weight includes packaging.

\* Canadian models use NEMA L14-30P.

## CORD LOCATION

Control side at right base side.

## PLUG CONFIGURATIONS



## PRODUCT SPECS

### Glo-Ray® Pizza Warmers

The Pizza Warmer shall be a Glo-Ray® Model ... rated at ... volts and ... watts, as manufactured by the Hatco Corporation, Milwaukee, WI 53234 U.S.A.

The warmer shall have ... heated shelves, tempered glass sides (excluding Base only models), hardcoated shelves with box stops and sign holders (excluding Base only models), incandescent display lights (excluding Base only models), and 4" (102 mm)

legs (1" [25 mm] legs GRPWS-2424 and -3624). It shall include a temperature control, an On/Off switch for each heat zone and a factory-attached 6' (1829 mm) cord with plug.

Warranty consists of 24/7 parts and service assistance (U.S. and Canada only).

**HATCO CORPORATION** | P.O. Box 340500 Milwaukee, WI 53234-0500 U.S.A.  
(800) 558-0607 | (414) 671-6350 | www.hatcocorp.com | support@hatcocorp.com