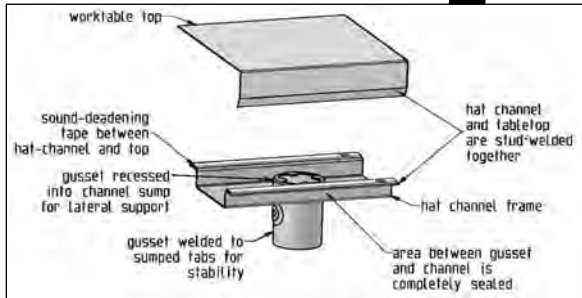


Specification Sheet

Short Form Specifications

BlendPort™ ET Series Economy Worktable with Flat Top, model _____, 20 gauge type 430 stainless steel top features 90° downturn of all four sides. 1½"-diameter galvanized legs. Galvanized adjustable undershelf with zinc-plated leg sockets. Adjustable plastic bullet feet.



Optional Drawers for ET Series Worktables

16" x 20". Features polymer grooved friction slides.



description	model #
For 24"-wide tables	BPDF-1620-24T
For 30"-wide tables	BPDF-1620-30T

Item No.: _____
Project No.: _____
S.I.S. No.: _____

BlendPort™ ET Series Economy Worktables with Flat Top

- 20 gauge type 430 stainless steel top with 90° downturn on all four sides.
- 1½"-diameter galvanized legs.
- All tables are sound-deadened.
- Galvanized adjustable undershelf with zinc-plated leg sockets.
- Adjustable plastic bullet feet.

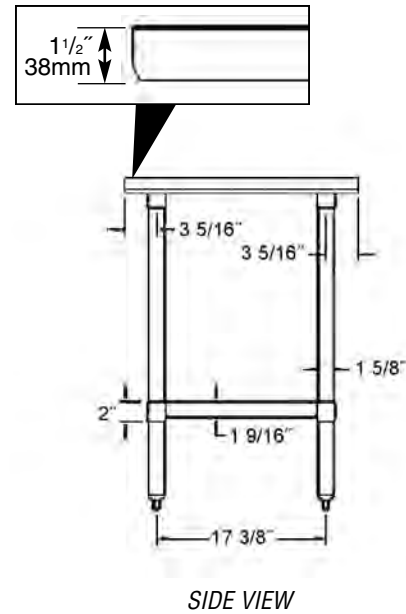
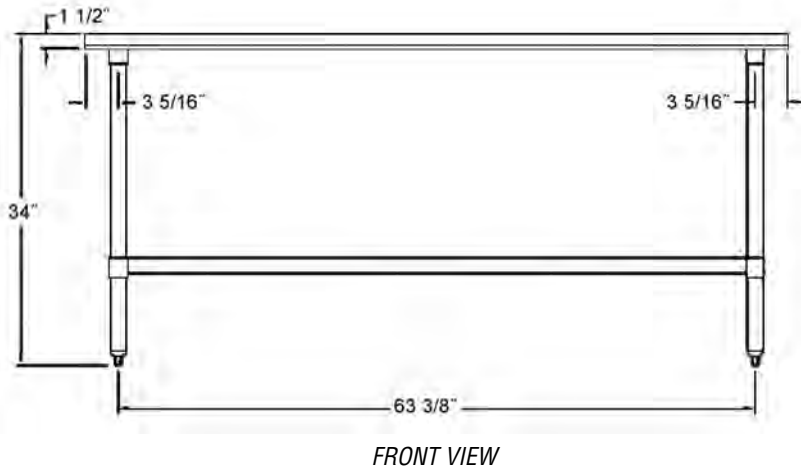
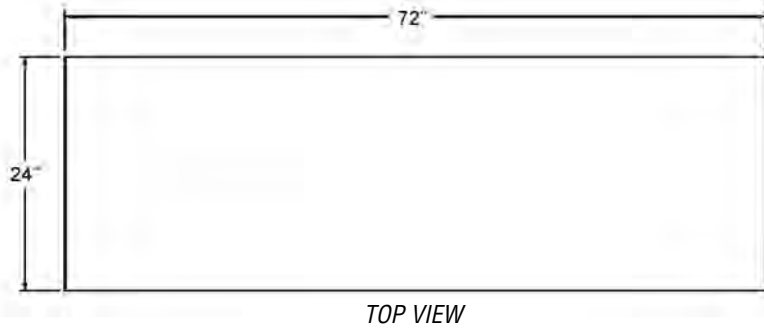
width x length	weight	model #
24" x 24"	26 lbs.	BPT-2424ET
24" x 30"	37 lbs.	BPT-2430ET
24" x 36"	48 lbs.	BPT-2436ET
24" x 48"	53 lbs.	BPT-2448ET
24" x 60"	67 lbs.	BPT-2460ET
24" x 72"	76 lbs.	BPT-2472ET
24" x 96"	109 lbs.	BPT-2496ET
30" x 24"	45 lbs.	BPT-3024ET
30" x 30"	49 lbs.	BPT-3030ET
30" x 36"	52 lbs.	BPT-3036ET
30" x 48"	62 lbs.	BPT-3048ET
30" x 60"	72 lbs.	BPT-3060ET
30" x 72"	86 lbs.	BPT-3072ET
30" x 96"	122 lbs.	BPT-3096ET





Item No.:	_____
Project No.:	_____
S.I.S. No.:	_____

BlendPort™ ET Series Economy Worktables with Flat Top



(Note: #BPT-2472ET shown)

BlendPort™
 An Eagle Group Company
 100 Industrial Boulevard, Clayton, DE 19938-8903 USA
 Phone: 800-441-8440 • Fax: 302-653-2065

Printed in U.S.A.
 ©2011 by Eagle Group
 Rev. 11/11

Although every attempt has been made to ensure the accuracy of the information provided, we cannot be held responsible for typographical or printing errors. Information and specifications are subject to change without notice. Please confirm at time of order.