
FEATURES & CONSTRUCTION:

Our tables are of all-welded construction with inverted "V" edges and no assembly is required.

*All corners are fashioned with a square-edged design.
All edges are formed with corners fully welded.*

Our table tops are 16 gauge type 300 series stainless steel and assembled with sound deadening material.

Reinforcement runs underneath the entire length of the top.

The undershelf is constructed of 18 gauge type 300 series stainless steel and is welded to the legs.

Legs are of 1 5/8" O.D. 16 gauge stainless steel tubing.

Glass mirror fully encased with 18 gauge type 300 series stainless steel frame; tilts to desired position with locking knobs for securing mirror's position.

Supported with 1 5/8" O.D. 16 gauge stainless steel tubing.

STANDARD SIZES (in.)

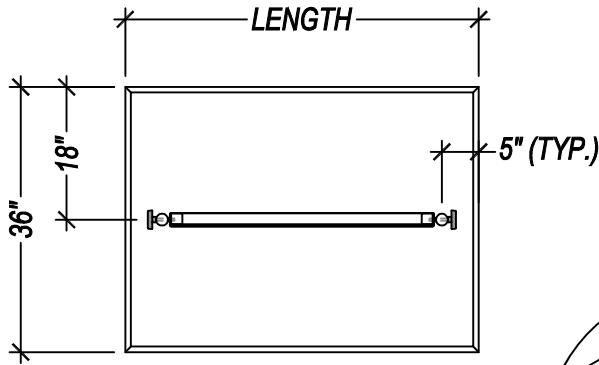
36" WIDTH		LENGTH	HEIGHT
4DTSU-36	4DTSU-36-14	48	35
5DTSU-36	5DTSU-36-14	60	
6DTSU-36	6DTSU-36-14	72	

*(Custom sizes are available.
Call us for details.)*

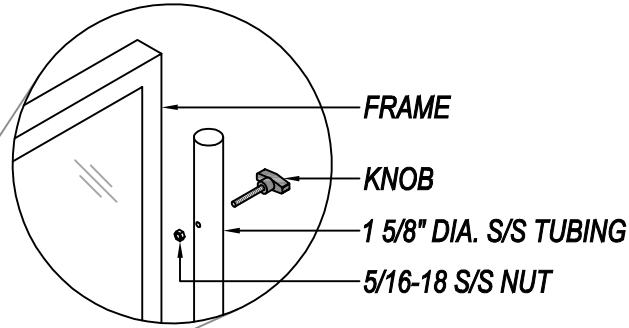


SPECIFICATIONS

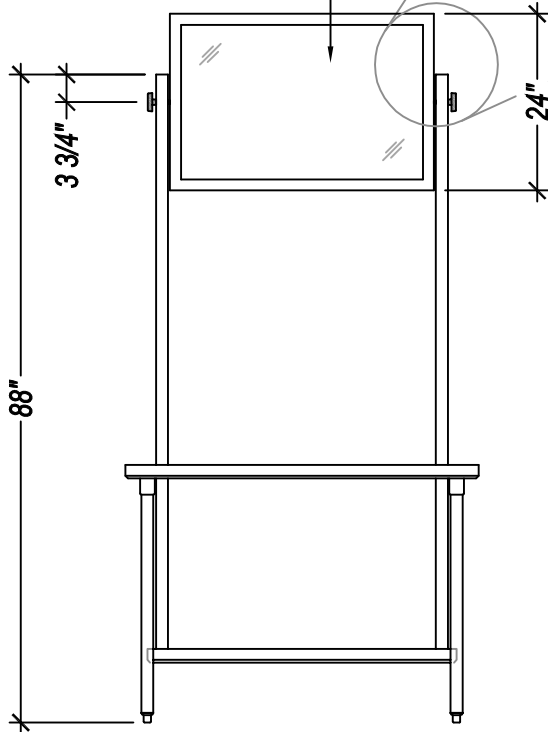
STANDARD WORKTABLE WITH DEMO MIRROR



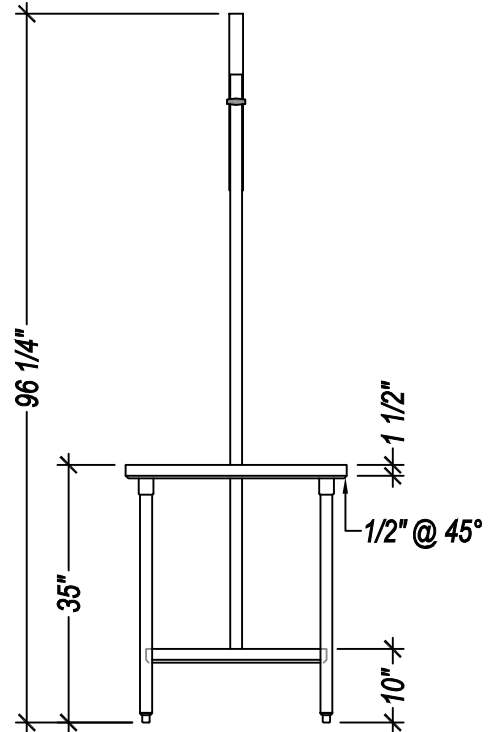
PLAN VIEW



GLASS MIRROR
LOCATED ON ONE SIDE



FRONT ELEVATION



SIDE ELEVATION

DIMENSIONS (in.)

36" WIDTH		WT (lbs)	LENGTH
4DTSU-36	4DTSU-36-14	240	48
5DTSU-36	5DTSU-36-14	265	60
6DTSU-36	6DTSU-36-14	290	72

REV. 08-07-13