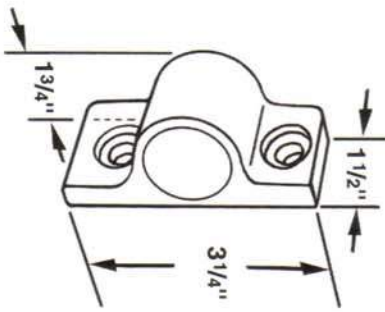
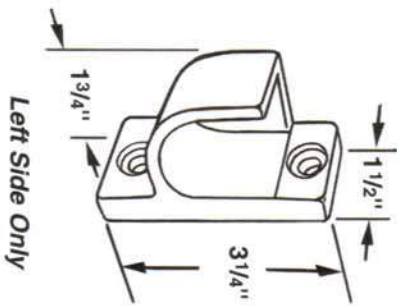


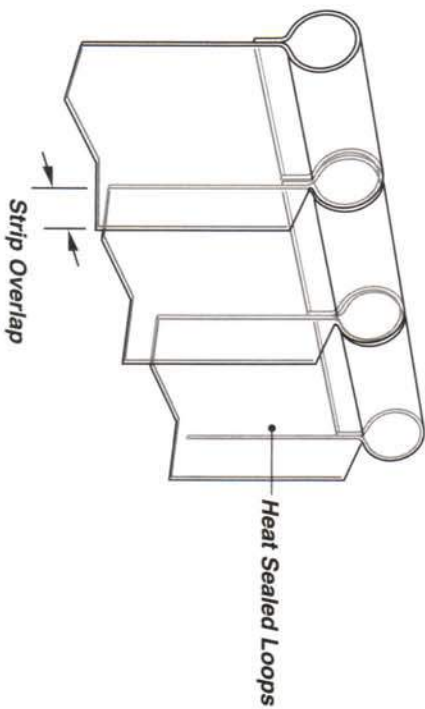
**STANDARD  
BRACKET  
HARDWARE**



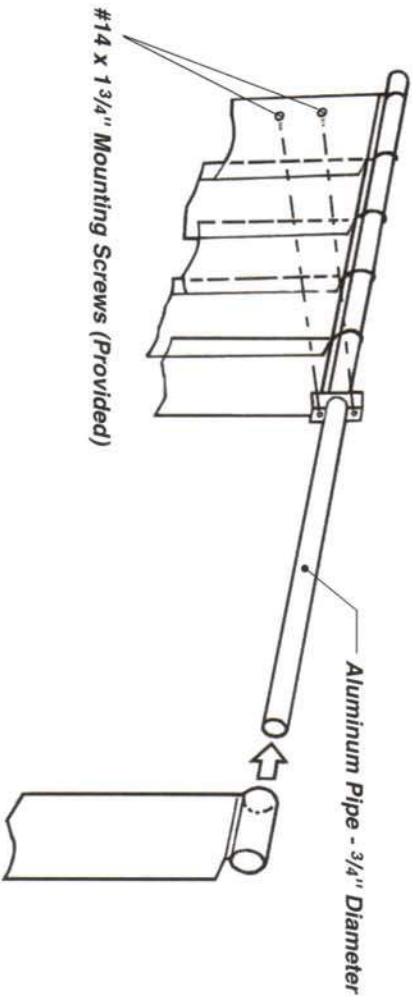
**OPTIONAL  
OPEN-END BRACKET  
HARDWARE**



**OVERLAP CONFIGURATION**



**CENTER SUPPORT BRACKET  
for Doorways Exceeding 60"**



**Strip Width**

- 6"
- 8"

**PVC Grades**

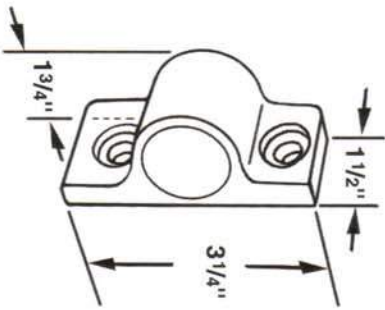
- Standard Non-Reinforced
- Polar Reinforced



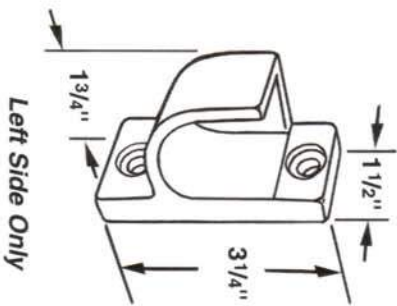
5350 Campbells Run Road • Pittsburgh, PA 15205-9738  
**800-833-5005**  
 Phone: 412-787-9750 Fax: 412-787-3665  
 E-Mail: [info@curtronproducts.com](mailto:info@curtronproducts.com)  
 Web: [www.curtronproducts.com](http://www.curtronproducts.com)

**"M" Series Strip Doors**

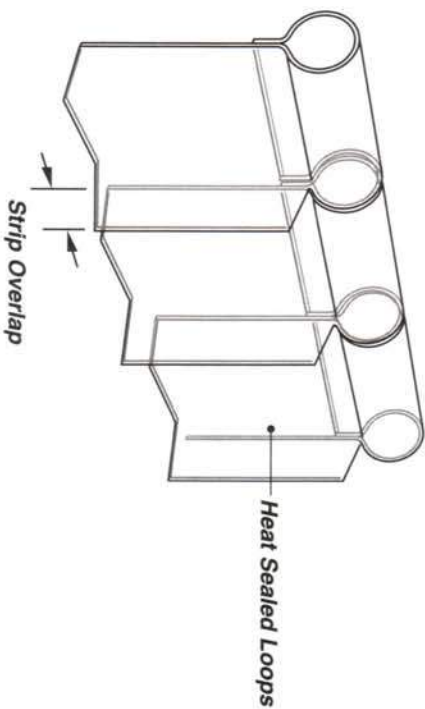
**STANDARD  
BRACKET  
HARDWARE**



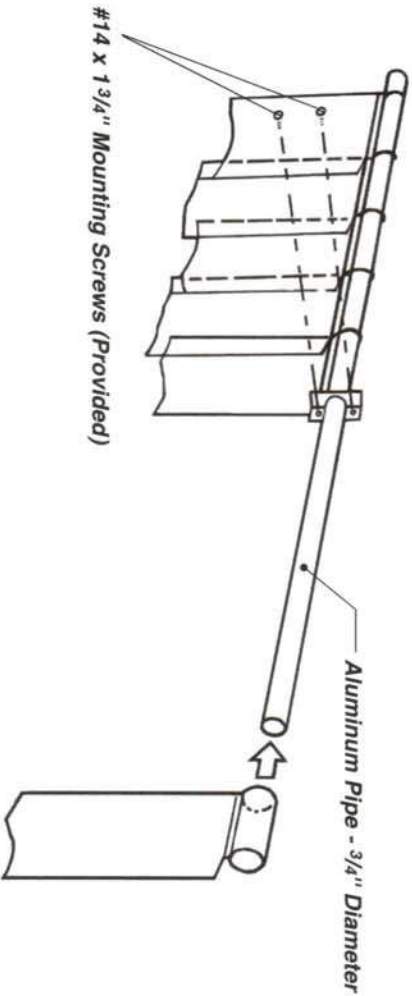
**OPTIONAL  
OPEN-END BRACKET  
HARDWARE**



**OVERLAP CONFIGURATION**



**CENTER SUPPORT BRACKET  
for Doorways Exceeding 60"**



- Strip Width**
- 6"
  - 8"
- PVC Grades**
- Standard Non-Reinforced
  - Polar Reinforced

**Curtron**  
Products  
a division of TMI Incorporated

5350 Campbells Run Road • Pittsburgh, PA 15205-9738  
**800-833-5005**  
 Phone: 412-787-9750 Fax: 412-787-3665  
 E-Mail: [info@curtronproducts.com](mailto:info@curtronproducts.com)  
 Web: [www.curtronproducts.com](http://www.curtronproducts.com)

**"M" Series Strip Doors**