

Meal Delivery Carts

Low Profile, Single Door, 10 Tray Capacity

Models MDC1520S10
MDC1520S10HD

Features & Benefits

- Durable cart designed specifically to meet the meal delivery needs of acute and long term care healthcare facilities.
- Designed to work with a wide variety of insulated and heated base and pellet systems.
- Single stack molded-in rail system holds two (2) trays per rail, ten (10) trays in total with a 5¹/₄" (13,34 cm) clearance between rails.
- Meal serving capacity is ten (10) 15" x 20" (38,1 x 50,8 cm) or Euronorm 37 x 53 cm fully loaded trays.
- One lightweight, non-rusting, aluminum louvered vent on the back of the cart supports air circulation throughout the cart to optimize food quality.
- Lightweight, pressure molded ABS door is non-insulated, opens a full 270° and is self-venting to assist with air circulation.
- Molded-in tray rails ensure quiet transport.
- One large molded-in rear ergonomic handle makes the cart easy to transport and maneuver.
- Molded-in marine rail provides an additional work surface during service. *The marine rail is designed for use during service, not transport.*
- One menu clip holds routing directions or content lists.
- Durable, one-piece, molded polyethylene construction ensures long term durability. Doesn't dent or rust and is easy to clean.
- Insulated polyurethane ensures quiet meal delivery and provides structural strength.
- Molded-in full-perimeter bottom bumper protects the cart, walls and furniture.
- Self-draining bottom facilitates cleaning.
- Nylon friction latch ensures that the door closes securely.
- Stainless steel casters:
 - MDC1520S10: Four (4) each 5" (12,7 cm) x 1³/₄" (3,2 cm) non-marking, slightly offset casters, two (2) fixed and two (2) swivel with brake.
 - MDC1520S10HD: Four (4) each heavy duty 6" (15,24 cm) x 2" (5,1 cm) non-marking slightly offset casters, two (2) fixed and two (2) swivel with brake.
- Non-electric.
- No assembly required.
- Available in two (2) colors.

Item No. _____

Specifier Identification No. _____

Model No. _____

Quantity _____



Approvals



Meal Delivery Carts

Low Profile, Single Door, 10 Tray Capacity

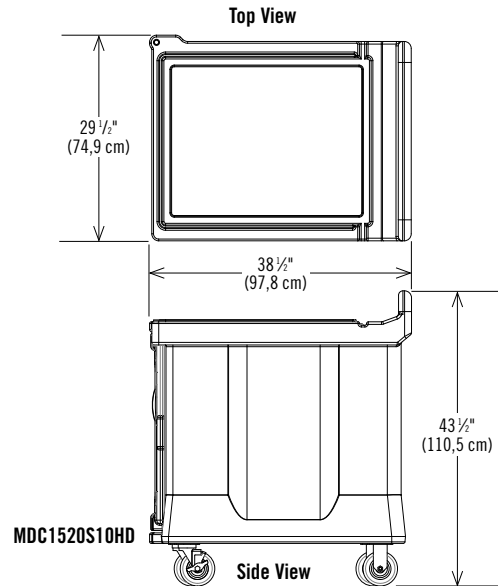
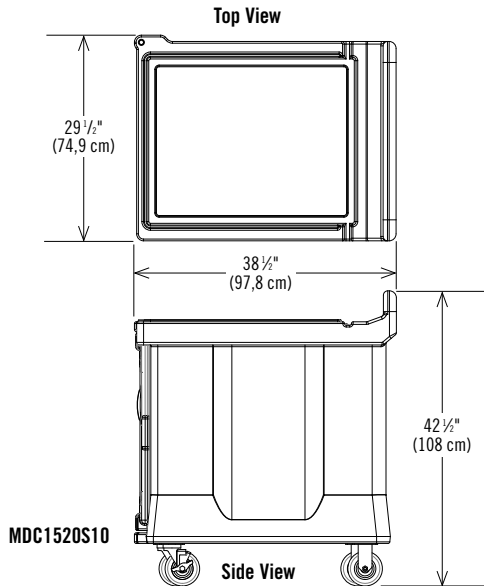
Models MDC1520S10
MDC1520S10HD

Item No. _____

Specifier Identification No. _____

Model No. _____

Quantity _____



Specifications

Dimension Tolerance: +/- 1/4" (0,64 cm)

CODE	TRAY SIZE (L x W)	TRAY CAPACITY	EXTERIOR DIMENSIONS (W x D x H)	INTERIOR CABINET DIMENSIONS (W x D x H)	CASTERS	CASE PACK EA.	CASE LBS./CUBE	CASE KG/CUBE M ³
MDC1520S10	15" x 20" 38,1 cm x 50,8 cm & 37 cm x 53 cm	10 each	29 1/2" x 38 1/2" x 42 1/2" 74,9 cm x 97,8 x 108 cm	21 1/8" x 31" x 26 1/4" 53,7 cm x 78,7 cm x 66,7 cm	5" x 1 1/4" 12,7 cm x 3,2 cm	1	90 (33,7)	40,9 (0,95)
MDC1520S10HD	15" x 20" 38,1 cm x 50,8 cm & 37 cm x 53 cm	10 each	29 1/2" x 38 1/2" x 43 1/2" 74,9 cm x 97,8 x 110,5 cm	21 1/8" x 31" x 26 1/4" 53,7 cm x 78,7 cm x 66,7 cm	6" x 2" 15,24 cm x 5,1 cm	1	102 (33,7)	46,4 (0,95)

Architect Specs

The non-electrical Meal Delivery Cart shall be a vertical access, single door Meal Delivery Cart, Model MDC1520S10 or MDC1520S10HD, manufactured by Cambro Mfg. Co., Huntington Beach, CA 92647, U.S.A. It shall be made of one-piece, seamless, double-wall, high-density, polyethylene and foam-injected polyurethane. It shall have a molded-in marine top rail. It shall have one horizontal molded-in handle across the back of the cart. It shall have a pressure molded, self-venting, ABS door that opens a full 270° with a nylon friction latch to secure the closed door. It shall have a single stack rail system that accommodates two (2) trays per rail, ten (10) trays per cart with a clearance of 5 1/4" (13,34 cm) between rails. It shall accommodate 15" x 20" (38,1 x 50,8 cm) or Euronorm 37 x 53 cm size trays. It shall have molded-in tray rails. It shall have an aluminum louvered vent on the back of the cart. Both models shall have a self-draining compartment floor that is slightly sloped. MDC1520S10 shall have four (4) each 5" (12,7 cm) x 1 1/4" (3,2 cm) non-marking, slightly offset stainless steel casters, two (2) fixed and two (2) swivel with brake. MDC1520S10HD shall have four (4) each heavy duty 6" (15,24 cm) x 2" (5,1 cm) non-marking, slightly offset stainless steel casters, two (2) fixed and two (2) swivel with brake. It shall have one nylon roller menu clip on the door. It shall require no assembly. It shall be available in two (2) color combinations.

Standard Colors

- Granite Gray with Cream Color Door (191)
- Granite Sand with Cream Color Door (194)

Approvals



© Cambro Manufacturing Company 5801 Skylab Road, Huntington Beach, California 92647-2056-U.S.A.
Telephone 714 848 1555 Toll Free 800 854 7631 Customer Service 800 833 3003