



Phoenix Heavy Duty Range with Open-Top Burners on a Modular Base



Project _____

Item No. _____

Quantity _____

18" Wide Open Top Burners

- Model BPM-2 - two 18 wide burners on a 18" wide modular base
- Model BPM-4 - four 18" wide burners on a 36" wide modular base
- Model BPM-8 - eight 18" wide burners on a 72" wide modular base

12" Wide Open Top Burners

- Model BPM-2-A - two 12" wide burners on a 12" wide modular base
- Model BPM-4-A - four 12" wide burners on a 24" wide modular base
- Model BPM-6 - six 12" wide burners on a 36" wide modular base
- Model BPM-8-A - eight 12" wide burners on a 48" wide modular base
- Model BPM-10 - ten 12" wide burners on a 60" wide modular base
- Model BPM-12 - twelve 12" wide burners on a 72" wide modular base

SPECIFY

- | | | |
|----------------------------|---|---------------------------------------|
| Gas Type | <input type="checkbox"/> Natural Gas | <input type="checkbox"/> Propane |
| Front Manifold Cap & Cover | <input type="checkbox"/> Required | <input type="checkbox"/> Not Required |
| Rear Manifold* | <input type="checkbox"/> Rear (3/4") | <input type="checkbox"/> Rear (1") |
| Flue Riser Height | <input type="checkbox"/> 5" | <input type="checkbox"/> 12" (option) |
| | <input type="checkbox"/> 24.5" (option) | <input type="checkbox"/> 36" (option) |

Operating altitude (if above 2000 ft (700 meters) _____

** 1-1/4" front manifold is provided on all units. 3/4" or 1" rear manifold connection is capped. Remove cap for rear manifold connection*

STANDARD FEATURES (All models)

- Two 35,000 BTU cast iron open burners per section
- Removable cast iron top grates
- Variable size multi-point gas connection
- Stainless steel gas tubing throughout
- One stainless steel pilot per burner
- 14 gauge welded body construction
- Stainless steel front, top, sides, bottom and flue riser
- 5" flue riser
- 6" stainless steel plate shelf
- Stainless steel tray bed for spill collection and easy cleaning
- 3/4" gas regulator shipped uninstalled (additional sizes available as options)
- 26" tubular stainless steel legs with adjustable feet (may be ordered without legs)
- Stainless steel crossrails
- Warranty: two year parts and one year labor warranty

OPTIONS AND ACCESSORIES

(AT ADDITIONAL CHARGE)

- Flue riser
 - 12" high stainless steel short back riser
 - 24.5" high stainless steel high back riser
 - 30" high stainless steel high back riser
- Single-shelf (mounts on 24.5" flue riser)
 - Solid shelf
 - Tubed shelf
- Double-shelf (mounts on 36" flue riser)
 - Solid shelves
 - Tubed shelves
- Gas pressure regulator
 - 1"
 - 1-1/4"
- Interconnect gas line with quick disconnect
 - 36" long
 - 48" long
- Common plate shelf
- Stainless steel dolly frame with casters
- Casters in lieu of adjustable legs
- Flanged feet with anchor bolts in lieu of adjustable legs
- Additional oven racks
- Michigan style shelf deflector

OPTIONS AND ACCESSORIES

(AT NO ADDITIONAL CHARGE)

- Stainless steel insulated work top in lieu of burners

PHOENIX HEAVY DUTY RANGE ON MODULAR BASE



BLODGETT

www.blodgett.com

44 Lakeside Avenue, Burlington, VT 05401 • Phone: (802) 658-6600 • Fax: (802) 864-0183



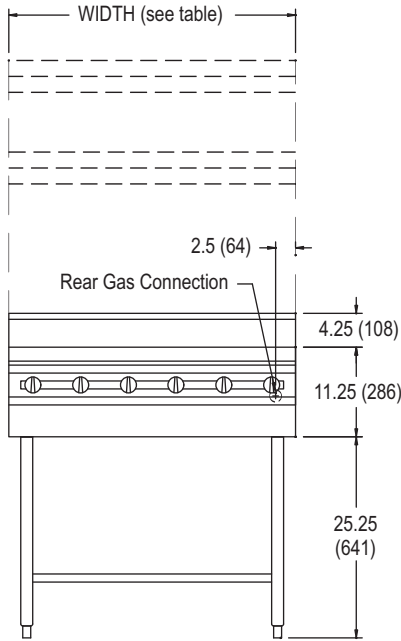
PHOENIX OPEN BURNER RANGE ON A MODULAR BASE



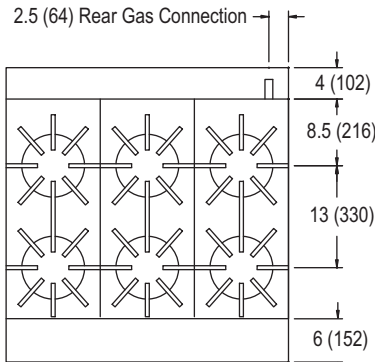
APPROVAL/STAMP

36" WIDE UNITS SHOWN

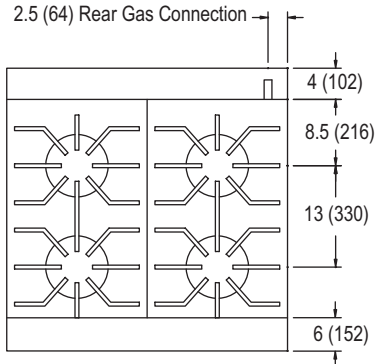
Dimensions are in inches (mm)



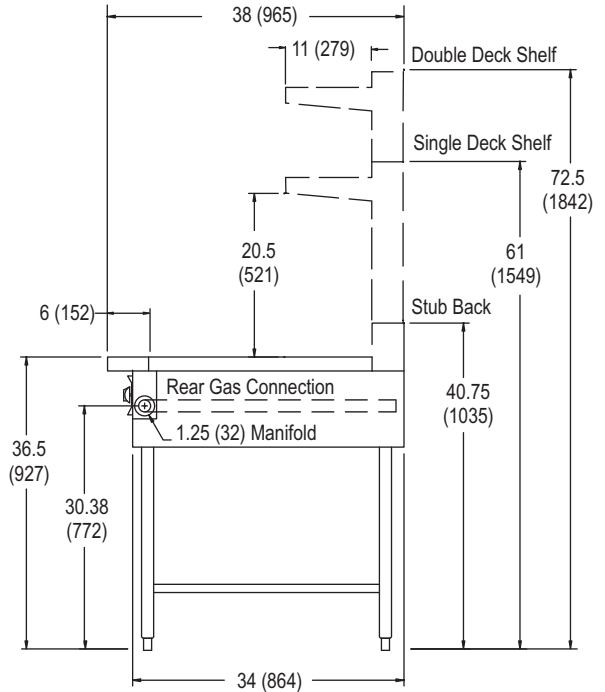
FRONT VIEW



TOP VIEW - 12" OPEN TOP BURNERS



TOP VIEW - 18" OPEN TOP BURNERS



SIDE VIEW

MODEL	WIDTH	# BURNERS	DEPTH	HEIGHT	SHIPPING WEIGHT
BPM-2	18"	2 (18")	38"	See drawing	190 lbs (86 kg)
BPM-4	36"	4 (18")			395 lbs (179 kg)
BPM-8	72"	8 (18")			790 lbs (358 kg)
BPM-2-A	12"	2 (12")			140 lbs (64 kg)
BPM-4-A	24"	4 (12")			225 lbs (102 kg)
BPM-6	36"	6 (12")			450 lbs (204 kg)
BPM-8-A	48"	8 (12")			590 lbs (268 kg)
BPM-10	60"	10 (12")			675 lbs (306 kg)
BPM-12	72"	12 (12")			760 lbs (325 kg)

SHORT FORM SPECIFICATIONS

Provide Blodgett heavy duty open burner range in 12", 24", 36", 48", 60" or 72" wide models. Unit shall have two 35,000 BTU/hr. cast iron burners controlled by infinite gas valves per section. Unit shall have removable cast iron top grates, with one spill pan below all burners. Unit shall have 14 gauge all welded body with stainless steel front and sides. All gas tubing to be stainless steel throughout with variable size, multipoint gas connection. 3/4" gas regulator provided. To be mounted on 26" tubular stainless steel legs with adjustable feet. Two year parts and one year labor warranty. Provide options and accessories as indicated.

UTILITY INFORMATION

MODEL	GAS RATING (BTU/hr)	OPERATING PRESSURE		GAS: Ranges are supplied with 1-1/4" front manifold connection and a 1" or 3/4" capped rear manifold connection. For rear manifold connection, remove cap. Ranges are supplied with 3/4" gas pressure regulator or 1-1/4" or 1" gas pressure regulator, see accessories. (Specify required front manifold cap and cover when ordering.) The unit must be connected with the gas regulator supplied. FLUE EXHAUST: Installation under a vented hood is recommended.
		Natural Gas	Propane	
BMP-2	70,000	5" W.C. min.	10 W.C. min. 14" W.C. max.	
BMP-4	140,000			
BMP-8	280,000			
BMP-2-A	70,000			
BMP-4-A	140,000			
BMP-6	210,000			
BMP-8-A	280,000			
BMP-10	350,000			
BMP-12	420,000			

NOTE: The company reserves the right to make substitutions of components without prior notice

BLODGETT

www.blodgett.com 44 Lakeside Avenue, Burlington, VT 05401 • Phone: (802) 658-6600 • Fax: (802) 864-0183