



# T&S BRASS AND BRONZE WORKS, INC.

2 Saddleback Cove / P.O. Box 1088  
Travelers Rest, SC 29690

Model No.

**B-2386**

Item No.

Travelers Rest, SC: 800-476-4103 • Simi Valley, CA: 800-423-0150 • Fax: 864-834-3518 • www.tsbrass.com



**ADA Compliant**

This Space for Architect/Engineer Approval

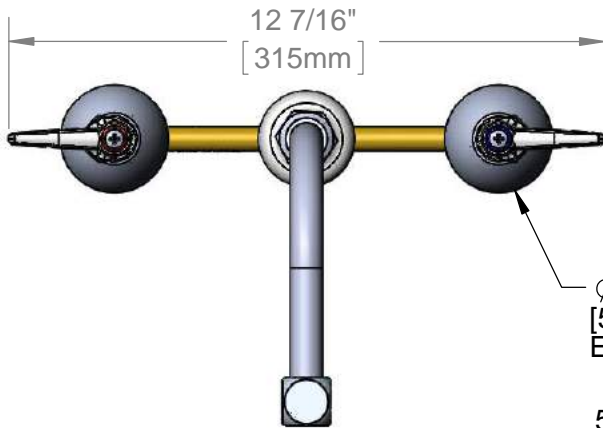
Job Name \_\_\_\_\_ Date \_\_\_\_\_

Model Specified \_\_\_\_\_ Quantity \_\_\_\_\_

Customer/Wholesaler \_\_\_\_\_

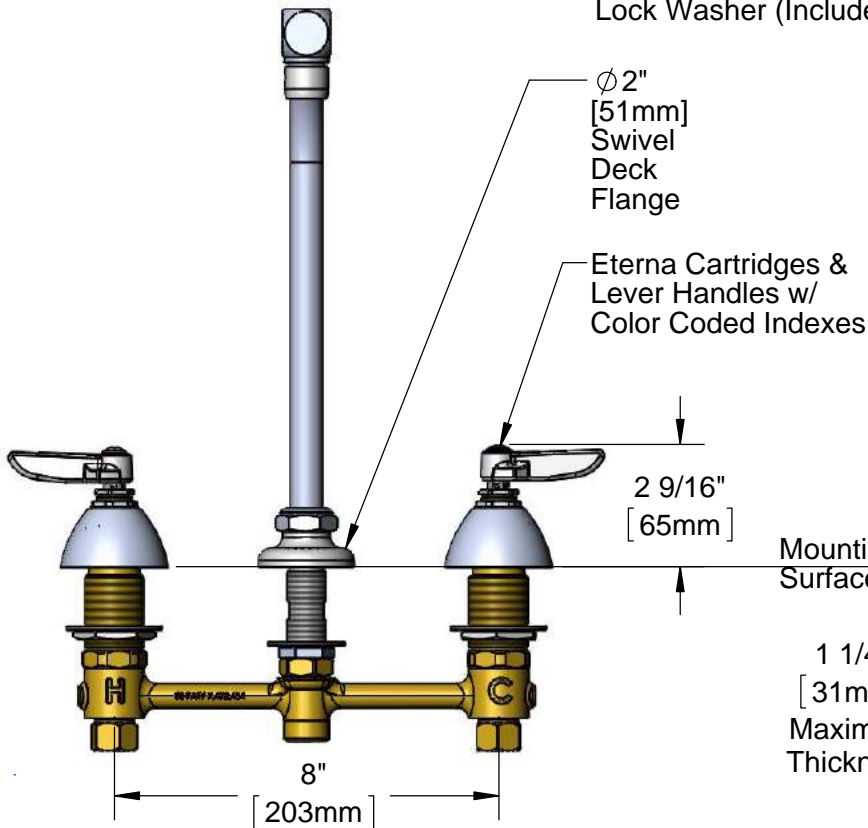
Contractor \_\_\_\_\_

Architect/Engineer \_\_\_\_\_



$\phi$ 2 1/4"  
[57mm]  
Escutcheons

5 1/2" Swivel Gooseneck w/  
B-0199-01  
2.2 GPM Aerator.  
Rigid Conversion  
Requires 014200-45  
Lock Washer (Included)

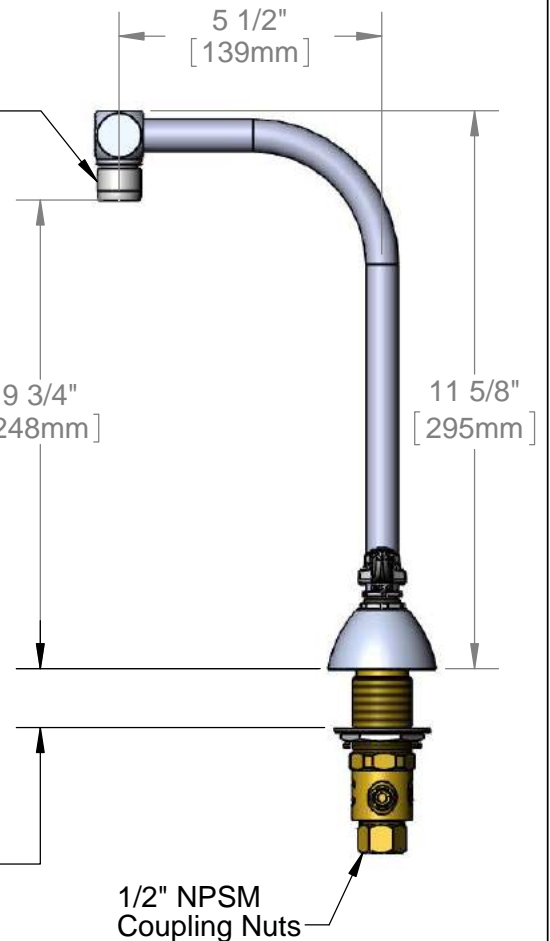


$\phi$ 2"  
[51mm]  
Swivel  
Deck  
Flange

Eterna Cartridges &  
Lever Handles w/  
Color Coded Indexes

Mounting  
Surface

1 1/4"  
[31mm]  
Maximum  
Thickness



1/2" NPSM  
Coupling Nuts

**Rough-In Requirement:**  
 $\phi$ 1" [25mm] for Center Shank  
 $\phi$ 1-1/2" [38mm] for Hot/Cold Side

**Product Specifications:**  
EasyInstall 8" CWS Deck Mount Mixing Faucet, Eterna Cartridges,  
Lever Handles, 5 1/2" Swivel Gooseneck, 2.2 GPM Aerator

**Product Compliance:**  
ASME A112.18.1 / CSA B125.1  
NSF 61 - Section 9  
NSF 372 (Low Lead Content)  
ANSI A117.1 (ADA)

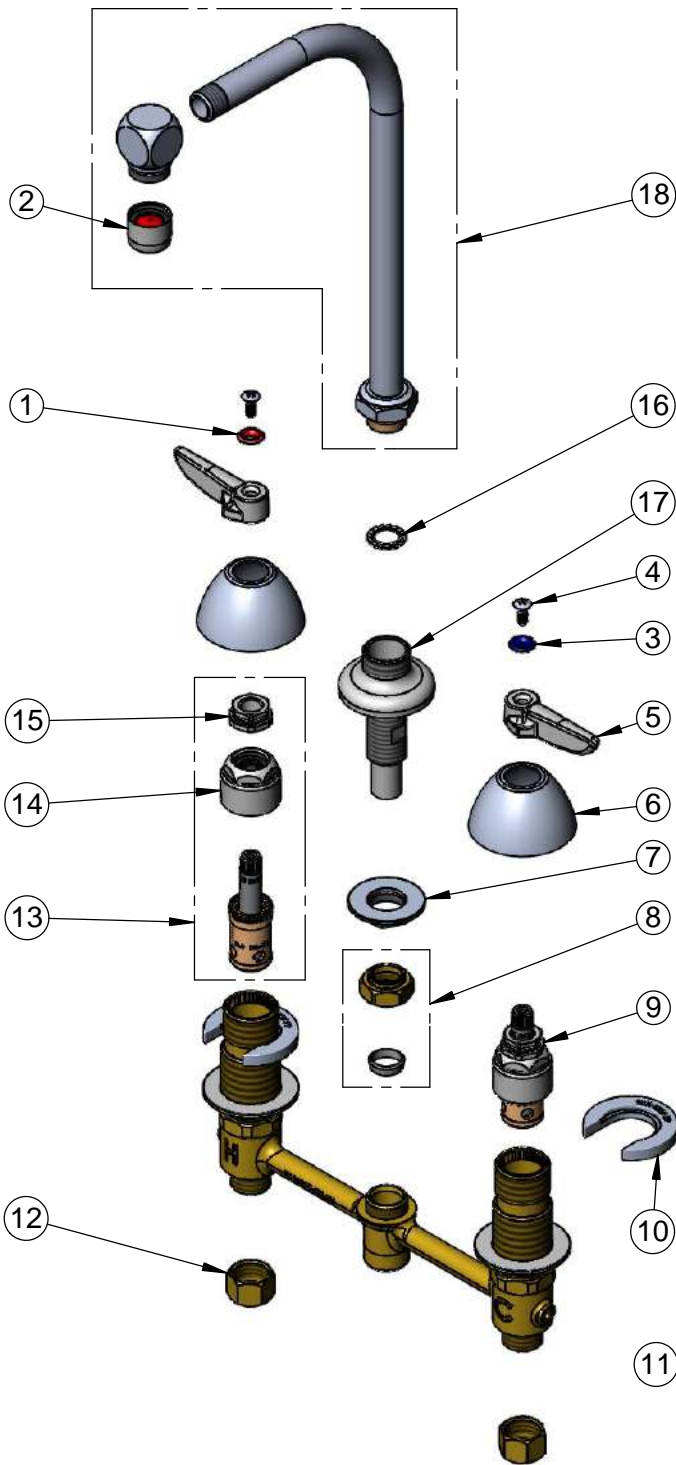


**T&S BRASS AND BRONZE WORKS, INC.**  
 2 Saddleback Cove / P.O. Box 1088  
 Travelers Rest, SC 29690

Model No.  
**B-2386**  
 Item No.

Travelers Rest, SC: 800-476-4103 • Simi Valley, CA: 800-423-0150 • Fax: 864-834-3518 • www.tsbrass.com

ITEM NO.	SALES NO.	DESCRIPTION
1	001661-45	Red Index-HW
2	B-0199-01	2.2 GPM Aerator, 55/64-27 UN Male
3	001660-45	Blue Index-CW
4	000922-45	Lever Handle Screw
5	001638-45	Lever Handle
6	001257-40	Bell Escutcheon
7	016742-45	Center Flange Nut
8	016745-45	Compression Nut & Fitting
9	016752-40	EasyInstall CWS LTC Eterna (Teflon)
10	016749-45	C-Washer
11	016777-45	CWS Hanger
12	000958-20	Coupling Nut
13	016753-40	EasyInstall CWS RTC Eterna (Teflon)
14	016743-25	CWS Bonnet
15	009002-25	Packing Nut
16	014200-45	Star Washer, Anti-Rotation
17	016754-40	EasyInstall CWS Swivel Center Shank
18	010094-40	5 1/2" Swivel Gooseneck w/ 2.2 GPM Aerator



017245-40  
 Installation Repair Kit  
 Includes #7, (2)#10, & #11

Product Specifications:  
 EasyInstall 8" CWS Deck Mount Mixing Faucet, Eterna Cartridges,  
 Lever Handles, 5 1/2" Swivel Gooseneck, 2.2 GPM Aerator

Product Compliance:  
 ASME A112.18.1 / CSA B125.1  
 NSF 61 - Section 9  
 NSF 372 (Low Lead Content)  
 ANSI A117.1 (ADA)