

PD2SYS-72 SERIES

HEATED DISPLAY SYSTEMS



PD2SYS-72

- Halo Heat is a controlled, uniform heat source that gently holds and surrounds food for better appearance, taste, and longer holding life.
- Holds and displays hot food fresh and moist for hours — without adding water.
- The display system can be expanded to meet specific requirements.

• Hot Display Case

- Curved glass styling.
- Display hot food without condensation on glass.
- An environmentally friendly bumper protects the case, is made of 93% pre-consumer polycarbonate waste and is 100% recyclable.
- A thermostatically-controlled heat source radiates from the base of the display case in multiple heat zones.
- Overhead light zones include shatterproof coated bulbs.
- Holds a full range of standard (gastronorm) pan sizes, full-size or half-size sheet pans.
- Tempered sliding glass doors reflect heat back into the food products and mirror the display to enhance merchandising effect.

• Decorator Base

- Standard black painted front and end panels.

• Self-service Hot Display

- Customer self-service opening is available on the right side, left side, or across the full length of the display case.
- A front mounted heat-guard provides customer protection.

Short Form Spec

The Alto-Shaam PD2SYS-72 series display case is constructed of stainless steel and mounted on top of two (2) pedestal risers. A curved, tempered glass front encloses the display case and lifts to a 90 degree angle for easy cleaning. Removable, sliding glass doors on the operator side are included. Sliding door tracks have a “clean sweep” cutout allowing for easy cleaning and crumb removal. Framed end glass with rubber gasket material protects glass edges from chipping and breakage. The base is divided into two (2) individually managed heat zones with each zone controlled by a separate thermostat with a range of 1 through 10. Overhead lights are controlled by On/Off switches in two (2) light zones.

- PD2SYS-72 - 72" (1829mm) length
- PD2SYS-72/P - 72" (1829mm) length, 71-5/16" (1811mm) self-service opening across full length of case front
- PD2SYS-72/PL - 72" (1829mm) length, 23-3/4" (603mm) self-service opening on left side of case front
- PD2SYS-72/PR - 72" (1829mm) length, 23-3/4" (603mm) self-service opening on right side of case front



ANSI/NSF 4

IP X3

EAC

Factory-installed Options

- | | | | |
|---|--|--|--|
| <ul style="list-style-type: none"> • Electrical <ul style="list-style-type: none"> <input type="checkbox"/> 120/208-240V <input type="checkbox"/> 230V <input type="checkbox"/> 380/415V <input type="checkbox"/> Independent Electrical Outlet for 120/208-240V models, optional (only available on operator's right side) | <ul style="list-style-type: none"> • Panel Color <ul style="list-style-type: none"> <input type="checkbox"/> Black, standard <input type="checkbox"/> Stainless Steel, optional <input type="checkbox"/> Custom Color, optional | <ul style="list-style-type: none"> • End Glass <ul style="list-style-type: none"> <input type="checkbox"/> Clear Glass, standard <input type="checkbox"/> Solar Bronze Glass, optional <input type="checkbox"/> Temperature Gauge, optional | <ul style="list-style-type: none"> • System Height <ul style="list-style-type: none"> <input type="checkbox"/> 47-7/8" (1214mm), standard <input type="checkbox"/> 45-3/8" (1148mm), optional <input type="checkbox"/> 54" (1367mm), optional <input type="checkbox"/> Temperature Probe, optional |
|---|--|--|--|

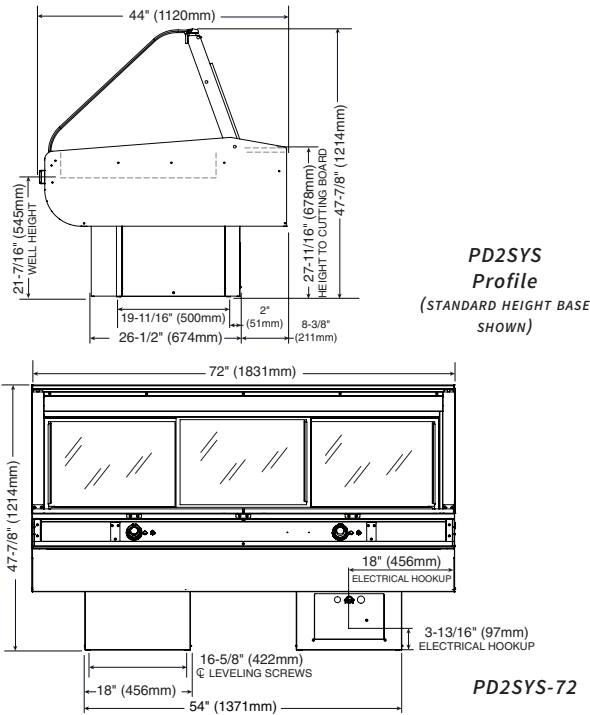


W164 N9221 Water Street • P.O. Box 450 • Menomonee Falls, Wisconsin 53052-0450 • U.S.A.
 Phone: 262.251.3800 800.558.8744 U.S.A./CANADA Fax: 262.251.7067 800.329.8744 U.S.A. only
www.alto-shaam.com



PD2SYS-72 SERIES

HEATED DISPLAY SYSTEMS



Dimensions (H X W X D)
Exterior, with standard height pedestal style base: 47-7/8" x 72" x 44" (1214mm x 1831mm x 1120mm)
Exterior, with optional height pedestal style base: 45-3/8" x 72" x 44" (1148mm x 1831mm x 1120mm)
Exterior, with optional height pedestal style base: 54" x 72" x 44" (1367mm x 1831mm x 1120mm)
Well Dimensions (W x L x D): 27-3/16" x 69-5/16" x 4-1/2" (692mm x 1760mm x 114mm)

Electrical					
V	PH	Hz	A	kW	
120/208-240	1	50/60	18.7	4.5	
208	1	50/60	16.2	3.4	Bare end, no plug
240	1	50/60	18.7	4.5	
230	1	50/60	18.3	4.2	Bare end, no plug
380-415	3	50/60	10.6	4.4	
380	3	50/60	9.7	3.7	Bare end, no plug
480	3	50/60	10.6	4.4	

Pan Configuration*			
Pan Size	Dimensions		Qty.
Full-size & one-third**:	12" x 20" x 2-1/2"	(GN 1/1)	5
	12" x 6" x 2-1/2"	(GN 1/3)	5
Half-size & one-third**:	12" x 10" x 2-1/2"	(GN 1/2)	10
	12" x 6" x 2-1/2"	(GN 1/3)	5
Full-size sheet pans:	18" x 26" x 1"		3
Max. Capacity/Volume:	80 lbs (36 kg) 50 qts (60 L)		

* Pans are not included with display case.
** Will also accept 4" (100mm) deep pans.

Specifications
<ul style="list-style-type: none"> Ten (10) overhead lights with two (2) light zones. Two (2) base heat zones with two (2) adjustable thermostats with a range of 1 through 10, and two (2) heat-on indicator lights. Three (3) tinted, reflective, tempered glass sliding doors on operator side. One (1) 10" x 60" (254mm x 1524mm) operator-side work shelf. Self-serve model PD2SYS-72/P has a self-serve pan insert 26-7/16" x 69-3/16" x 2" (672mm x 1757mm x 51mm) and includes three (3) Wire Pan Grids. Self-serve models PD2SYS-72/PL and PD2SYS-72/PR have self-serve pan insert 21-5/8" x 26-7/16" x 2" (549mm x 672mm x 51mm) and includes one (1) Wire Pan Grid.

Installation Requirements
The display case must be installed level.
The display case must not be installed in any area where it may be affected by steam, grease, dripping water, high temperatures, or any other severely adverse conditions.
Do not install a heated display case near a cold air source such as a freezer, air conditioning vents, or in any area where outside air fluctuation can affect performance.

Weight
Net: 674 lb (306 kg) Ship: 717 lb (325 kg)
Crated dimensions: L X W X H 81" x 50" x 71" (2057mm x 1270mm x 1803mm)

ACCESSORIES			
<input type="checkbox"/> Butting Kit (seamlessly connect multiple systems)	5009002	Platform Scale	
<input type="checkbox"/> Carving Station	5001874	<input type="checkbox"/> Left-hand	5005338
		<input type="checkbox"/> Right-hand	5005337
<input type="checkbox"/> Pan Insert, Self-service 4" (102mm) deep	1001991	Sheet Pan Divider Bar Package	
<input type="checkbox"/> Thermostat Guard Cover Plate	5007660	<input type="checkbox"/> Full-service & Self-service full cases	5002803
		<input type="checkbox"/> Self-service left-side or right-side of cases	5002804



W164 N9221 Water Street • P.O. Box 450 • Menomonee Falls, Wisconsin 53052-0450 • U.S.A.
Phone: 262.251.3800 800.558.8744 U.S.A./Canada Fax: 262.251.7067 800.329.8744 U.S.A. only
www.alto-shaam.com